

275 Series

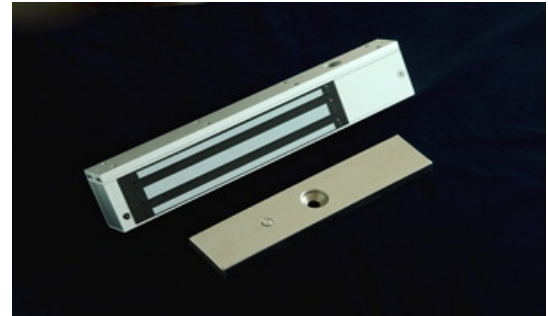


Electromagnetic Lock 600

Model ULC275-S-A (Unmonitored Version)
ULC275-SL-A (Monitored Version)

DESCRIPTION

EM locks 600 were designed to meet fire/life safety applications by providing an auxiliary locking mechanism that has no moving parts to bind or wear out for trouble free operation. This will ensure inhibited release at all times where they have become extremely prevalent in applications other than fire/life safety. Suitable for access controlled & secure areas within buildings.



FEATURES & SPECIFICATION



Life Safety Applications



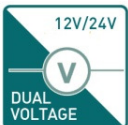
Zero Residual Magnetism



Low Energy Consumption



Cost Savings

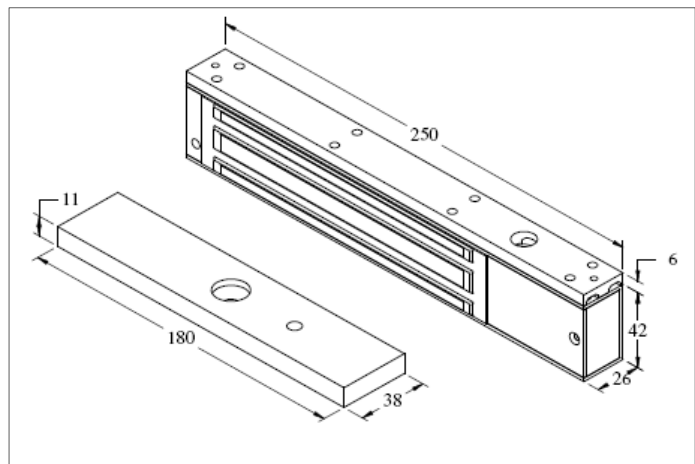


12/24Vdc Selectable



Ideal for all door types

Models	ULC275-S-A	ULC275-SL-A
Features & Spec.		
Lock Status Monitoring	-	✓
Magnet Size	250 X 42 X 26 mm	
Armature Size	180 X 38 X 11 mm	
Current Drain	480mA±10%/12Vdc 240mA±10%/24Vdc	
Operating Temperature	(-10 to 55) °C (14 to 131) °F	
Housing Finishing	Anodized Aluminium	
Est. Weight	2.0kg	



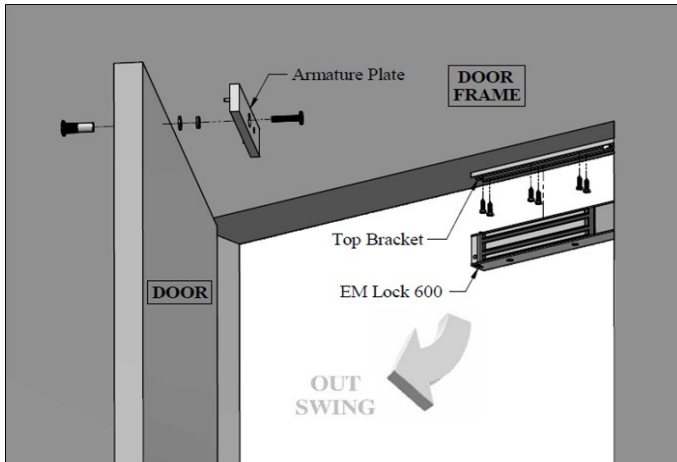
275 Series



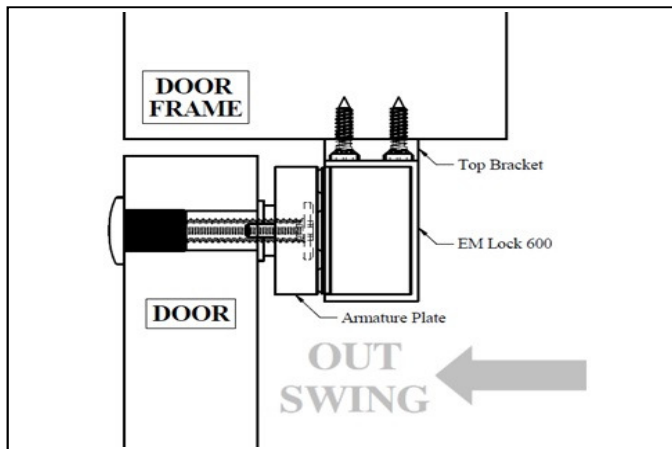
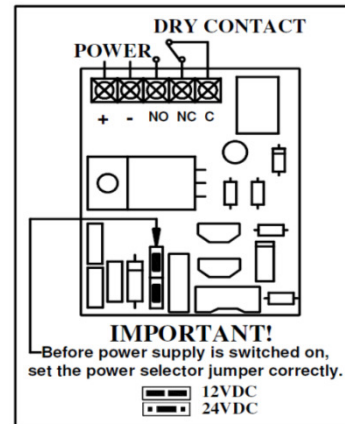
Electromagnetic Lock 600

STANDARD INSTALLATION DIAGRAM

WIRING DIAGRAM



Explode View



Side View

OPTIONAL - BRACKET SELECTION

U1-275	ZL-275	ZLE-275	LS-275	GG-275	ZLC-275
ZLC-275-G	ZLDC-275-G	LSDC-275-G	AH-275	AB-275	