



# 545 Series

### Double Electromagnetic Lock 1200

**Model** ULC545-D-A (Unmonitored Version)  
 ULC545-DL-A (Monitored Version)

#### DESCRIPTION

Double EM locks 1200 were designed to meet fire/life safety applications by providing an auxiliary locking mechanism that has no moving parts to bind or wear out for trouble free operation. This will ensure inhibited release at all times where they have become extremely prevalent in applications other than fire/life safety. Suitable for access controlled & secure areas within buildings with double leaf doors.



#### FEATURES & SPECIFICATION



**Life Safety Applications**



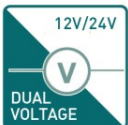
**Zero Residual Magnetism**



**Low Energy Consumption**



**Cost Savings**

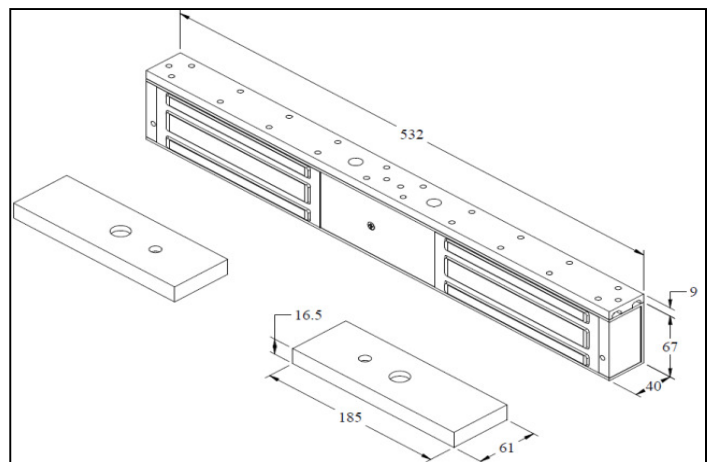


**12/24Vdc Selectable**



**Ideal for all door types**

Models	ULC545-D-A	ULC545-DL-A
<b>Features &amp; Spec.</b>		
<b>Lock Status Monitoring</b>	-	✓
<b>Magnet Size</b>	532 X 67 X 40 mm	
<b>Armature Size</b>	185 X 61 X 16.5 mm	
<b>Current Drain</b>	420mA±10%/12Vdc 210mA±10%/24Vdc	
<b>Operating Temperature</b>	(-10 to 55) °C (14 to 131) °F	
<b>Housing Finishing</b>	Anodized Aluminium	
<b>Est. Weight</b>	9.3kg	

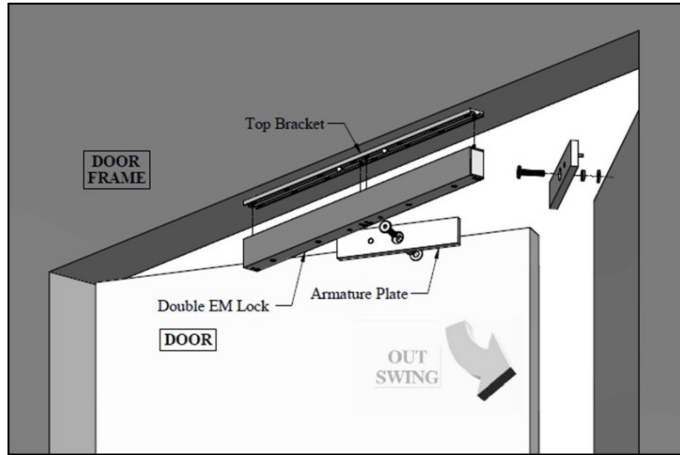


# 545 Series

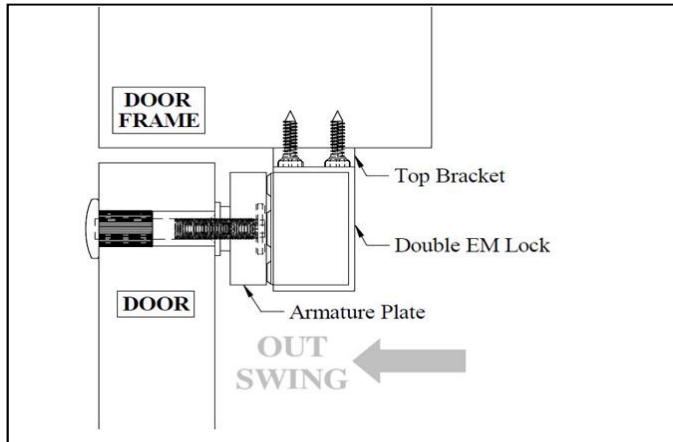


## Double Electromagnetic Lock 1200

### STANDARD INSTALLATION DIAGRAM

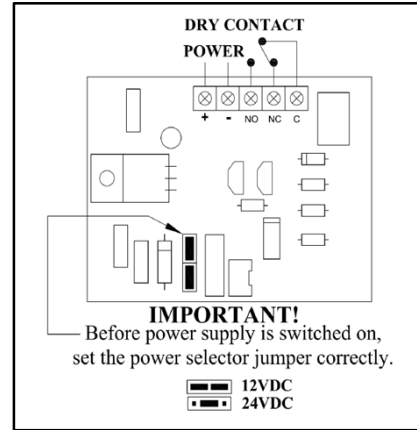


Explode View



Side View

### WIRING DIAGRAM



### OPTIONAL - BRACKET SELECTION

LS-545	U1-545	ZL-545	ZLE-545	LSDC-545-G	ZLDC-545-G
AH-545	AB-545				