

135 Series

300lbs Double Electromagnetic Lock

Model **UL135-D-A (Unmonitored Version)**

DESCRIPTION

300lbs Double EM locks were designed to meet fire/life safety applications by providing an auxiliary locking mechanism that has no moving parts to bind or wear out for trouble free operation. This will ensure inhibited release at all times where they have become extremely prevalent in applications other than fire/life safety. Suitable for access controlled & small enclosure with double leaf doors.



FEATURES & SPECIFICATION



Life Safety Applications



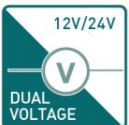
Zero Residual Magnetism



Low Energy Consumption



Cost Savings

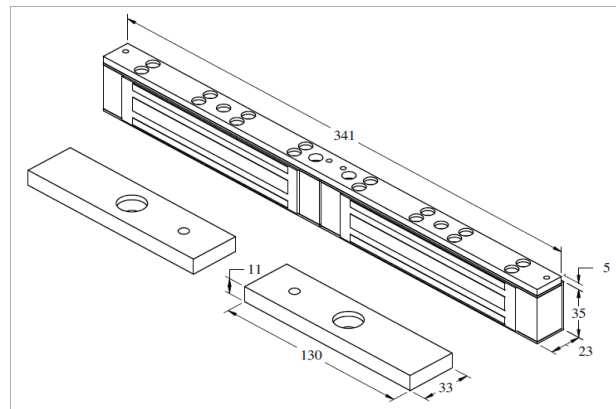


12/24Vdc Non-Selectable



Ideal for all door types

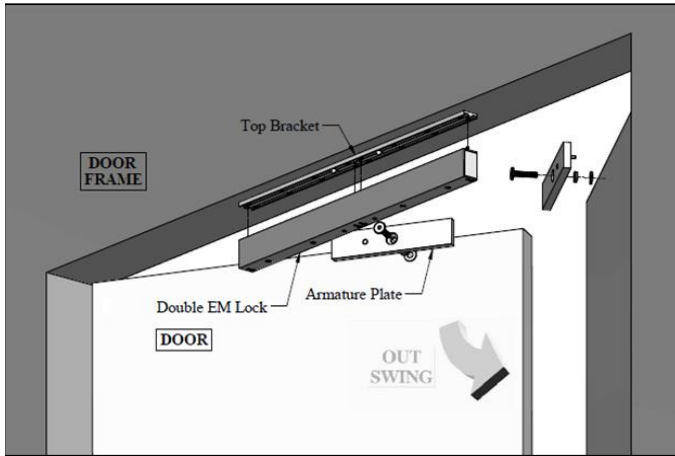
Model	UL135-D-A
Features & Spec.	
Lock Status Monitoring	-
Holding Force	Up to 300lbs x 2
Magnet Size	341 X 35 X 23 mm
Armature Size	130 X 33 X 11 mm
Current Drain	300mA±10%/12Vdc 150mA±10%/24Vdc
Operating Temperature	(-10 to 55) °C (14 to 131) °F
Housing Finishing	Anodized Aluminium
Est. Weight	2.2kg



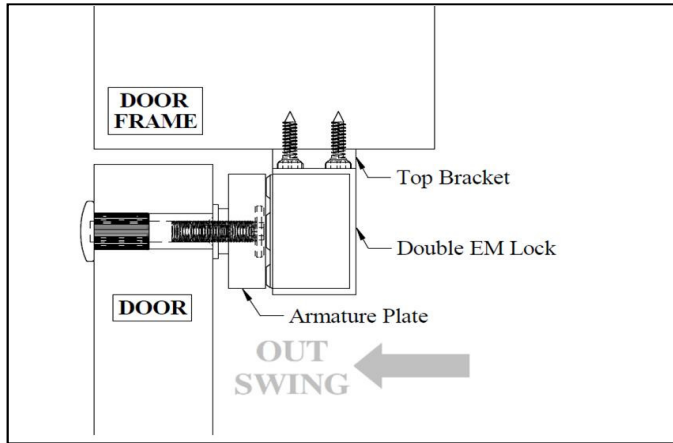
135 Series

300lbs Double Electromagnetic Lock

STANDARD INSTALLATION DIAGRAM



Explode View



Side View

OPTIONAL - BRACKET SELECTION

LS-135	U1-135	ZL-135	ZLE-135
--------	--------	--------	---------