

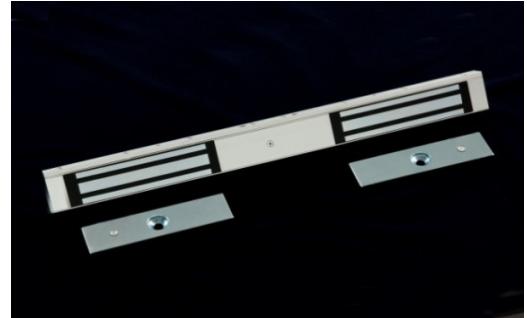
136 Series

300lbs Double Electromagnetic Lock

Model **UL136-D-A (Unmonitored Version)**
 UL136-DL-A (Monitored Version)

DESCRIPTION

300lbs Double EM locks were designed to meet fire/life safety applications by providing an auxiliary locking mechanism that has no moving parts to bind or wear out for trouble free operation. This will ensure inhibited release at all times where they have become extremely prevalent in applications other than fire/life safety. Suitable for access controlled & small enclosure with double leaf doors.



FEATURES & SPECIFICATION



Life Safety Applications



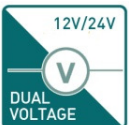
Zero Residual Magnetism



Low Energy Consumption



Cost Savings

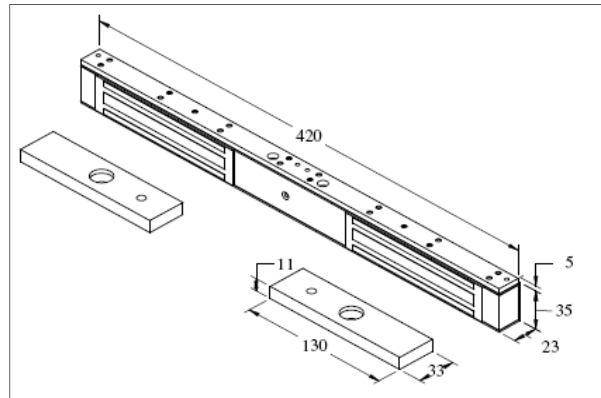


12/24Vdc Selectable



Ideal for all door types

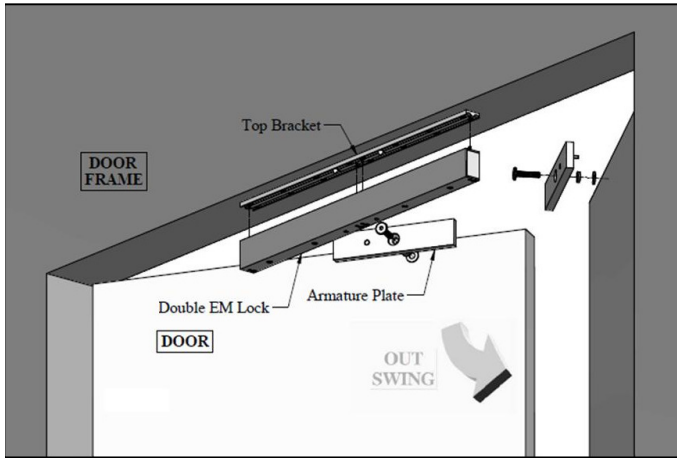
Models	UL136-D-A	UL136-DL-A
Features & Spec.		
Lock Status Monitoring	-	✓
Holding Force	Up to 300lbs x 2	
Magnet Size	420 X 35 X 23 mm	
Armature Size	130 X 33 X 11 mm	
Current Drain	300mA±10%/12Vdc 150mA±10%/24Vdc	
Operating Temperature	(-10 to 55) °C (14 to 131) °F	
Housing Finishing	Anodized Aluminium	
Est. Weight	2.3kg	



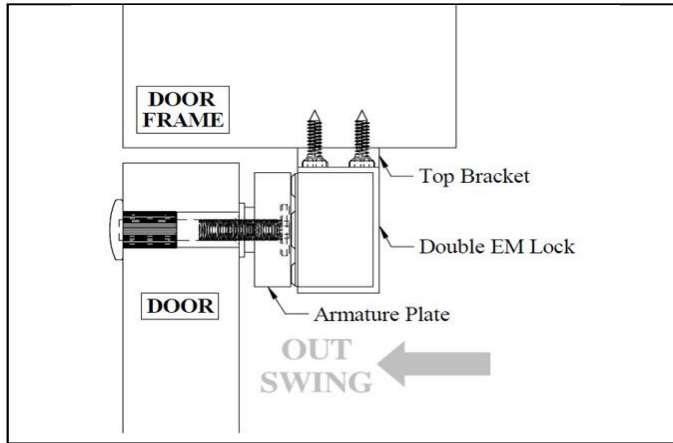
136 Series

300lbs Double Electromagnetic Lock

STANDARD INSTALLATION DIAGRAM

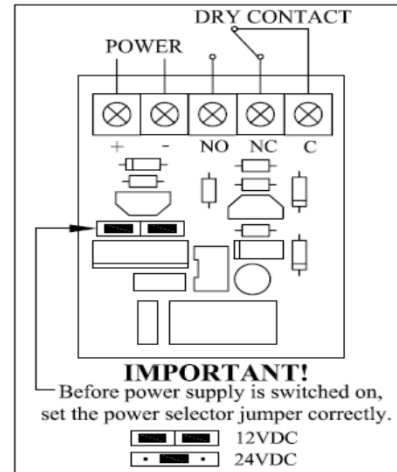


Explode View



Side View

WIRING DIAGRAM



OPTIONAL - BRACKET SELECTION

LS-136	ZL-136	ZLE-136	U1-135
--------	--------	---------	--------