

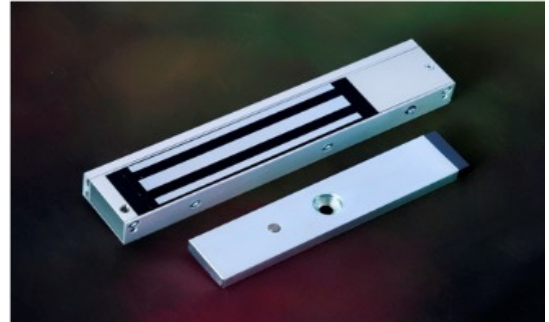
MonAct™ Series

600lbs Electromagnetic Lock with Magnetic Contact

Model UL275-SMC-A (Unmonitored Version)
UL275-SLMC-A (Monitored Version)

DESCRIPTION

UL275-SLMC MonAct™ series renders advance security monitoring by integrating door status monitoring function (DSMF) (providing door opened/closed signal) in addition to the standard lock status monitoring function (LSMF). MonAct™ series Monitored EM locks are inbuilt with magnetic contact were designed to meet fire and life safety applications by providing an auxiliary locking mechanism that has no moving parts to bind or wear out for trouble free operation. This will ensure inhibited release at all times where they have become extremely prevalent in applications other than fire/life safety. Suitable for higher security areas within buildings.



FEATURES & SPECIFICATION



Life Safety Applications



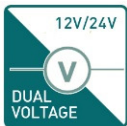
Zero Residual Magnetism



Low Energy Consumption



Cost Savings



12/24Vdc Selectable

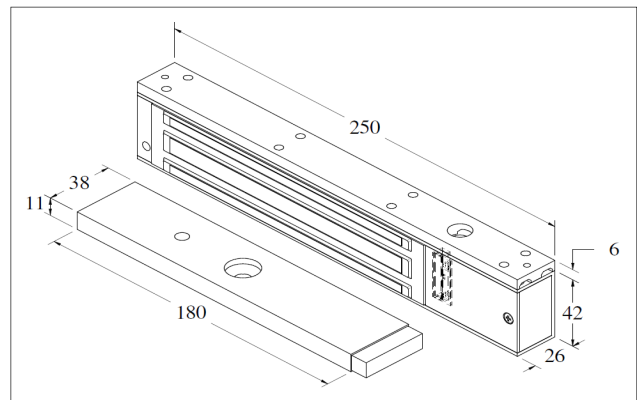


Door Status Monitoring



Ideal for all door types

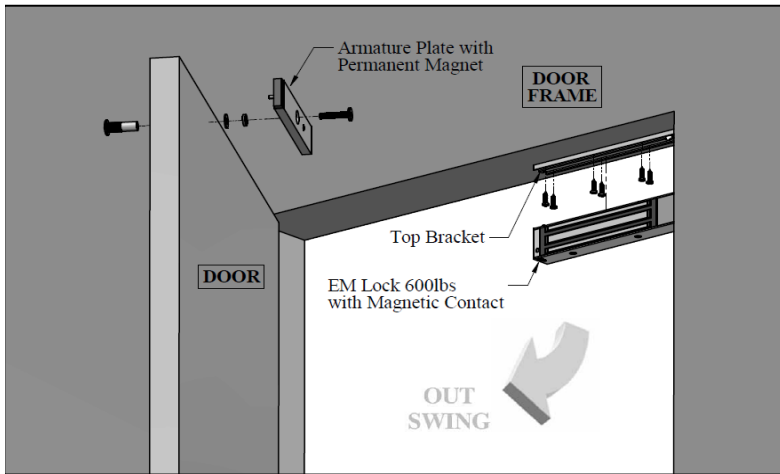
Models	UL275-SMC-A	UL275-SLMC-A
Features & Spec.		
Lock Status Monitoring	-	✓
Door Status Monitoring	✓	
Holding Force	Up to 600lbs	
Magnet Size	250 X 42 X 26 mm	
Armature Size	180 X 38 X 11 mm	
Current Drain	480mA±10%/12Vdc 240mA±10%/24Vdc	
Operating Temperature	(-10 to 55) °C (14 to 131) °F	
Housing Finishing	Anodized Aluminium	
Est. Weight	2.0kg	



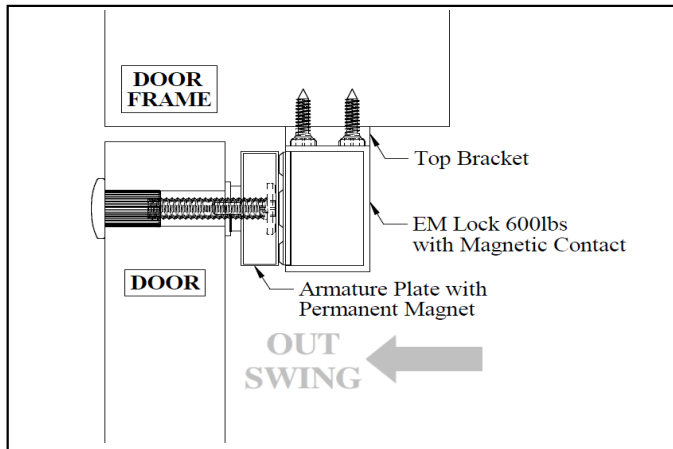
MonAct™ Series

600lbs Electromagnetic Lock with Magnetic Contact

STANDARD INSTALLATION DIAGRAM

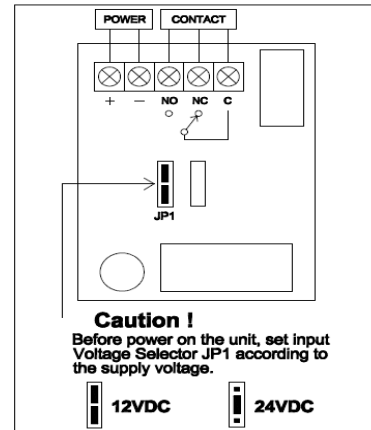


Explode View



Side View

WIRING DIAGRAM



OPTIONAL - BRACKET SELECTION

U1-275	ZL-275	ZLE-275	LS-275	GG-275	ZLC-275
ZLC-275-G	ZLDC-275-G	LSDC-275-G	AHM-275	AB-275	