

275TB Series

600lbs Electromagnetic Lock with Timer & Buzzer

Model UL275TB-SL-A (Monitored Version)

DESCRIPTION

600lbs EM Locks with Time Delay Function (TDF) & Buzzer is designed to cater for the increasing needs in the industry. The aim is also to meet fire/life safety applications by providing an auxiliary locking mechanism. Suitable for access controlled & secure areas within buildings which require 2-tier access control feature in a single device.



FEATURES & SPECIFICATION



Life Safety Applications



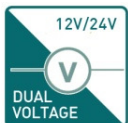
Zero Residual Magnetism



Low Energy Consumption



Cost Savings

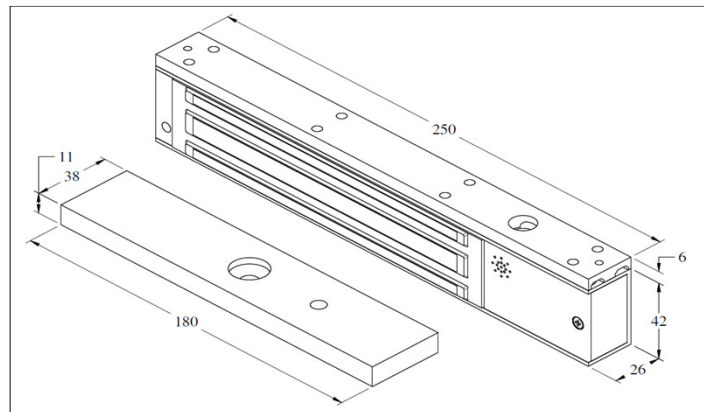


12/24Vdc Selectable



Ideal for all door types

Models	UL275TB-SL-A
Features & Spec.	
Lock Status Monitoring	✓
Holding Force	Up to 600lbs
Magnet Size	250 X 42 X 26 mm
Armature Size	180 X 38 X 11 mm
Current Drain	500mA±10%/12Vdc 250mA±10%/24Vdc
Operating Temperature	(-10 to 55) °C (14 to 131) °F
Housing Finishing	Anodized Aluminium
Est. Weight	2.0kg



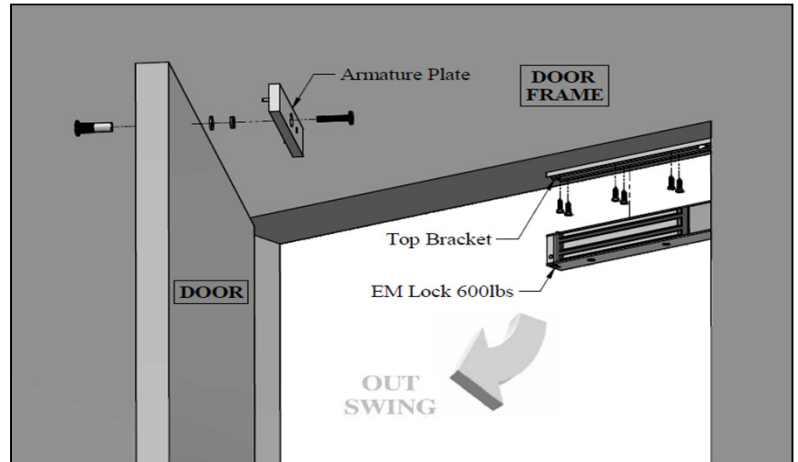
275TB Series

600lbs Electromagnetic Lock with Timer & Buzzer

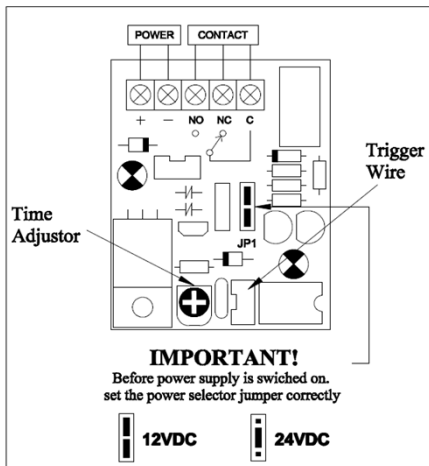
Extended Features

- **Time Adjustor** - Setting of door re-lock time
Clockwise: - Max. delay 20 seconds.
Counter clockwise: - Min. delay 0 second.
** Factory Setting at 0 sec.*
- **Trigger** - Connected to emergency exit button device to control Door Exit Button to open the door while emergency.
- **Buzzer** - Sounds when magnet does not detect Armature Plate after a specific time set.

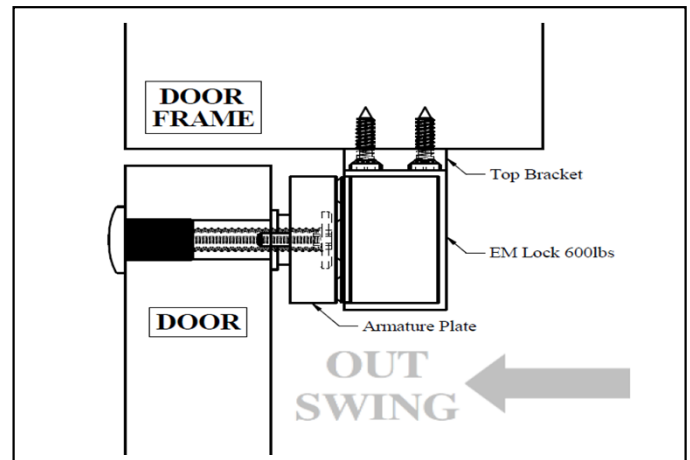
STANDARD INSTALLATION DIAGRAM



WIRING DIAGRAM



Explore View



Side View

OPTIONAL - BRACKET SELECTION

U1-275	ZL-275	ZLE-275	LS-275	GG-275	ZLC-275
ZLC-275-G	ZLDC-275-G	LSDC-275-G	AH-275	AB-275	