

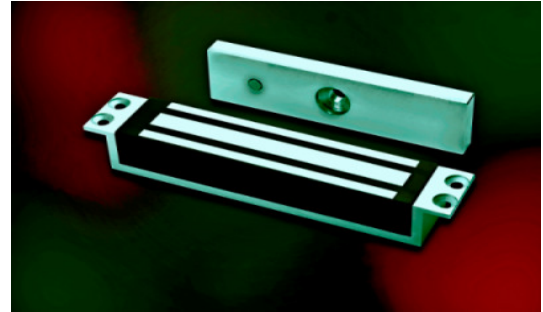
# Mortice Series

## 300lbs Mortice Electromagnetic Lock

**Model**    **UL135-M-A (Unmonitored Version)**  
              **UL135-ML-A (Monitored Version)**

### DESCRIPTION

300lbs Mortice EM locks were designed to meet fire/life safety applications by providing an auxiliary locking mechanism that has no moving parts to bind or wear out for trouble free operation. This will ensure inhibited release at all times where they have become extremely prevalent in applications other than fire/life safety. Specially designed for flush mount applications access control.



### FEATURES & SPECIFICATION



**Life Safety Applications**



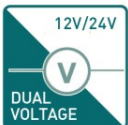
**Zero Residual Magnetism**



**Low Energy Consumption**



**Cost Savings**

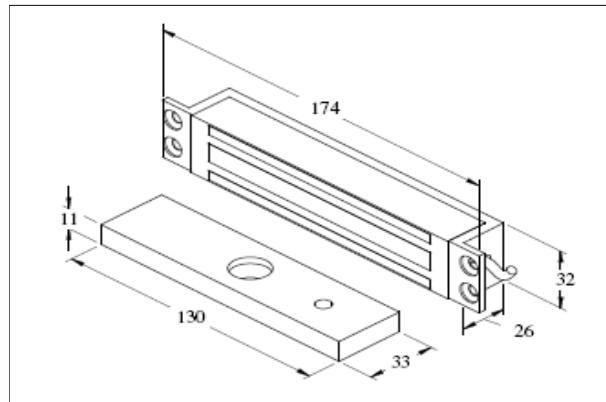


**12/24Vdc Selectable**



**Ideal for all door types**

Models	UL135-M-A	UL135-ML-A
<b>Features &amp; Spec.</b>		
<b>Lock Status Monitoring</b>	-	✓
<b>Holding Force</b>	Up to 300lbs	
<b>Magnet Size</b>	174 X 32 X 26 mm	
<b>Armature Size</b>	130 X 33 X 11 mm	
<b>Current Drain</b>	300mA±10%/12Vdc 150mA±10%/24Vdc	
<b>Operating Temperature</b>	(-10 to 55) °C (14 to 131) °F	
<b>Housing Finishing</b>	Anodized Aluminium	
<b>Est. Weight</b>	1.3kg	

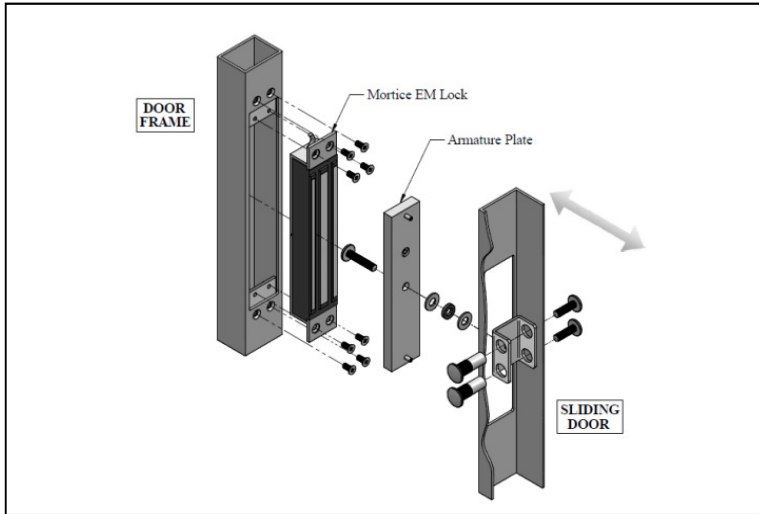


# Mortice Series

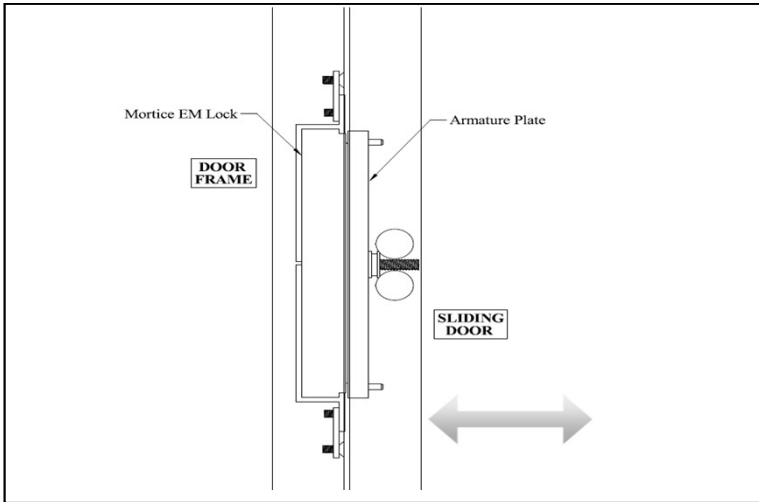
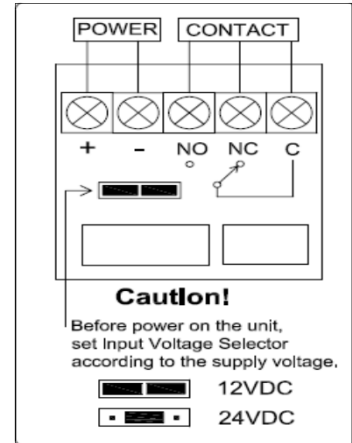
## 300lbs Mortice Electromagnetic Lock

### STANDARD INSTALLATION DIAGRAM

### WIRING DIAGRAM



Explode View



Side View