

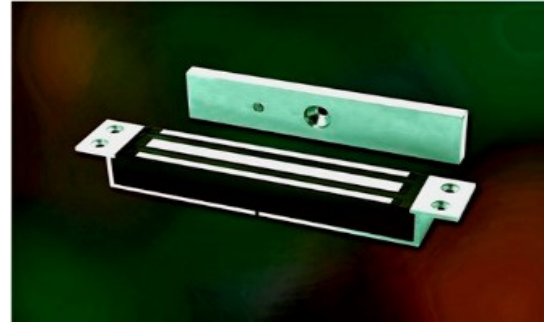
Mortice Series

600lbs Mortice Electromagnetic Lock

Model **UL275-M-A (Unmonitored Version)**
 UL275-ML-A (Monitored Version)

DESCRIPTION

600lbs Mortice EM Locks were designed to meet fire/life safety applications by providing an auxiliary locking mechanism that has no moving parts to bind or wear out for trouble free operation. This will ensure inhibited release at all times where they have become extremely prevalent in applications other than fire/life safety. Specially designed for flush mount applications access control.



FEATURES & SPECIFICATION



Life Safety Applications



Zero Residual Magnetism



Low Energy Consumption



Cost Savings

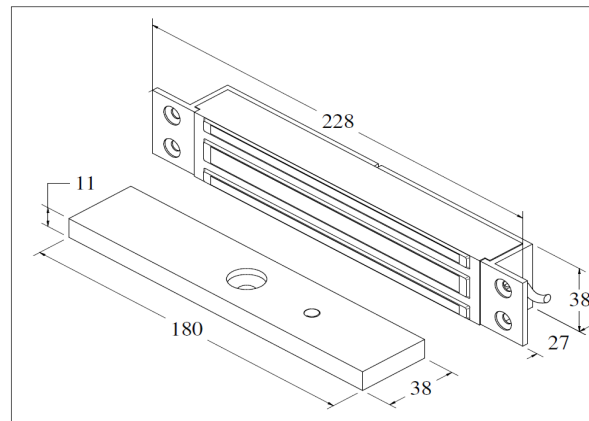


12/24 Vdc Selectable



Ideal for all door types

Models	UL275-M-A	UL275-ML-A
Features & Spec.		
Lock Status Monitoring	-	✓
Holding Force	Up to 600lbs	
Magnet Size	228 X 38 X 27 mm	
Armature Size	180 X 38 X 11 mm	
Current Drain	480mA±10%/12Vdc 240mA±10%/24Vdc	
Operating Temperature	(-10 to 55) °C (14 to 131) °F	
Housing Finishing	Anodized Aluminium	
Est. Weight	2.0kg	

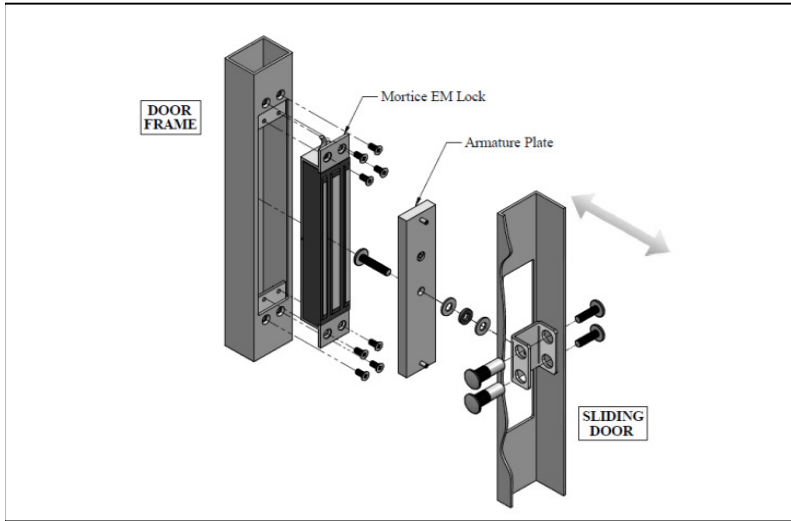


Mortice Series

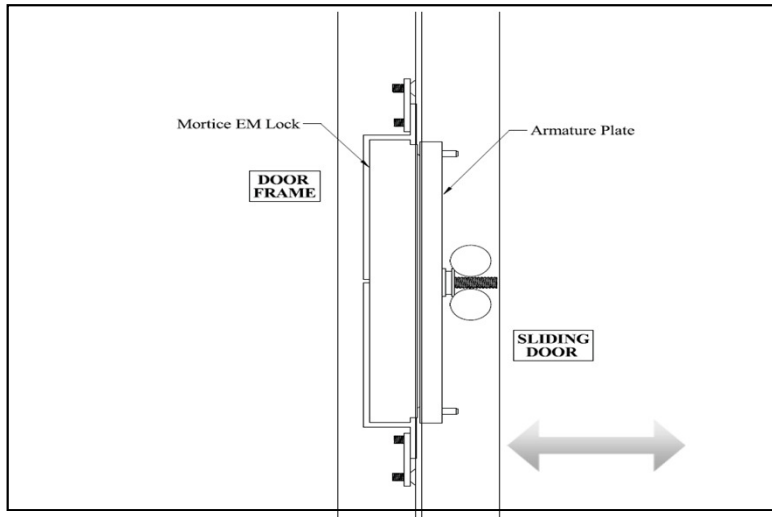
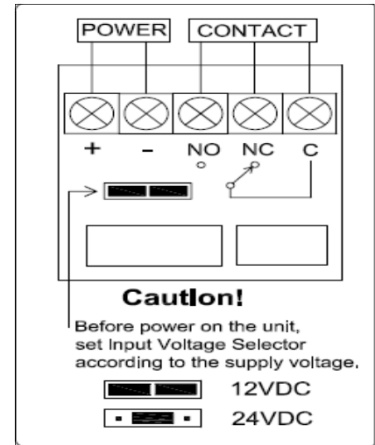
600lbs Mortice Electromagnetic Lock

STANDARD INSTALLATION DIAGRAM

WIRING DIAGRAM



Explode View



Side View