

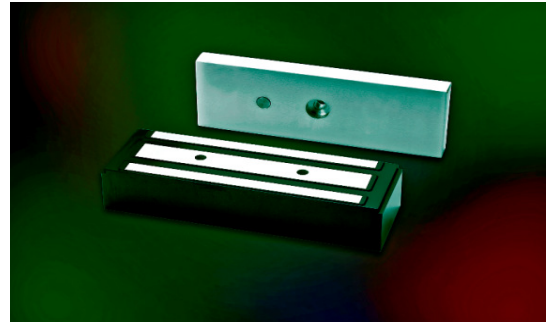
Mortice Series

1200lbs Mortice Electromagnetic Lock

Model UL545-M-A (Unmonitored Version)
UL545-ML-A (Monitored Version)

DESCRIPTION

1200lbs Mortice EM Locks were designed to meet fire/life safety applications by providing an auxiliary locking mechanism that has no moving parts to bind or wear out for trouble free operation. This will ensure inhibited release at all times where they have become extremely prevalent in applications other than fire/life safety. Specially designed for flush mount applications access control.



FEATURES & SPECIFICATION



Life Safety Applications



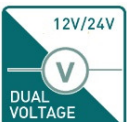
Zero Residual Magnetism



Low Energy Consumption



Cost Savings

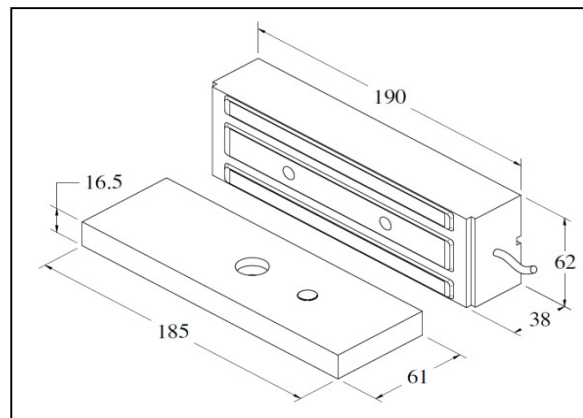


12/24 Vdc Selectable



Ideal for all door types

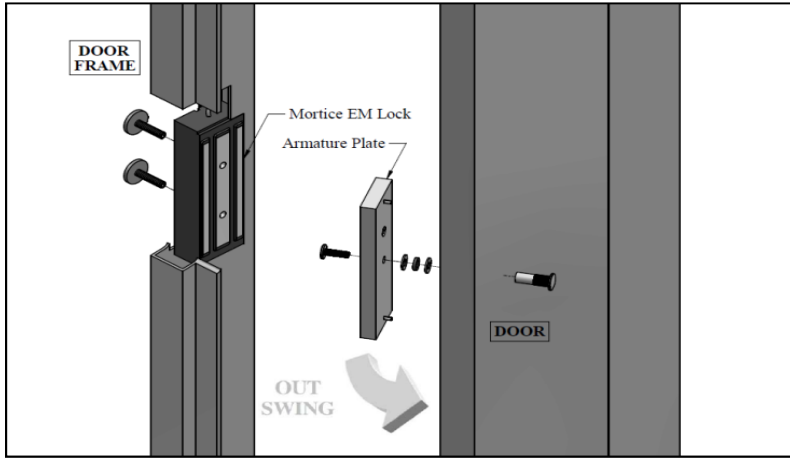
Models	UL545-M-A	UL545-ML-A
Features & Spec.		
Lock Status Monitoring	-	✓
Holding Force	Up to 1200lbs	
Magnet Size	190 X 62 X 38 mm	
Armature Size	185 X 61 X 16.5 mm	
Current Drain	420mA±10%/12Vdc 210mA±10%/24Vdc	
Operating Temperature	(-10 to 55) °C (14 to 131) °F	
Housing Finishing	Anodized Aluminium	
Est. Weight	4.2kg	



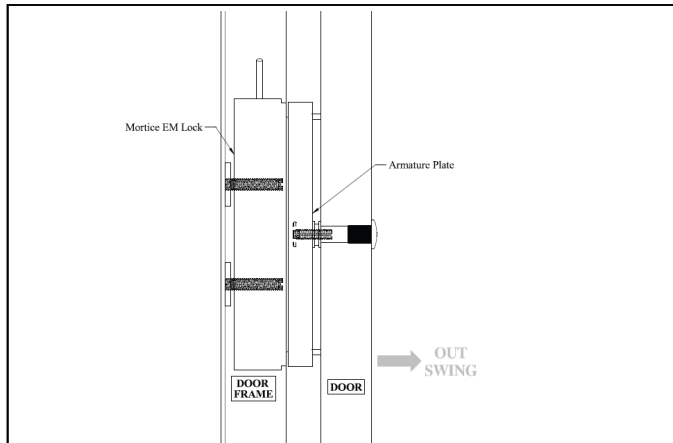
Mortice Series

1200lbs Mortice Electromagnetic Lock

STANDARD INSTALLATION DIAGRAM



Explode View



Side View

WIRING DIAGRAM

