

275L Series

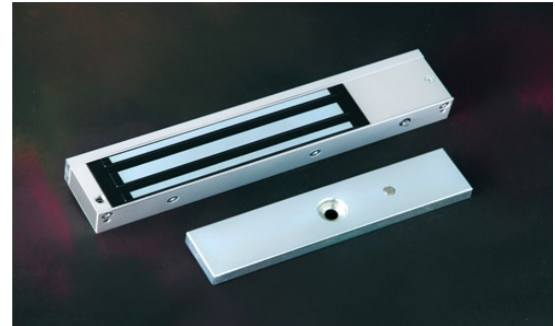


600lbs Electromagnetic Lock (Super Low Power Type)

Model **UL275L-S-A (Unmonitored Version)**
 UL275L-SL-A (Monitored Version)

DESCRIPTION

L-Series 600lbs EM Lock are eco friendly designed with power consumption less than 300mA. The blueprint is also to meet fire/life safety applications by providing an auxiliary locking mechanism. Suitable for interior & perimeter doors which requires medium security.



FEATURES & SPECIFICATION



Life Safety Applications



Zero Residual Magnetism



Low Energy Consumption



Cost Savings

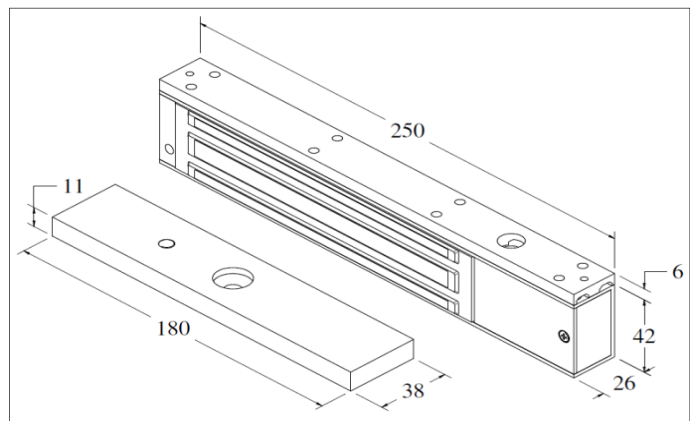


12Vdc



Ideal for all door types

Models	UL275L-S-A	UL275L-SL-A
Lock Status Monitoring	-	✓
Holding Force	Up to 600lbs	
Magnet Size	250 X 42 X 26 mm	
Armature Size	180 X 38 X 11 mm	
Current Drain	less than 300mA /12Vdc	
Operating Temperature	(-10 to 55) °C (14 to 131) °F	
Housing Finishing	Anodized Aluminium	
Est. Weight	2.0kg	

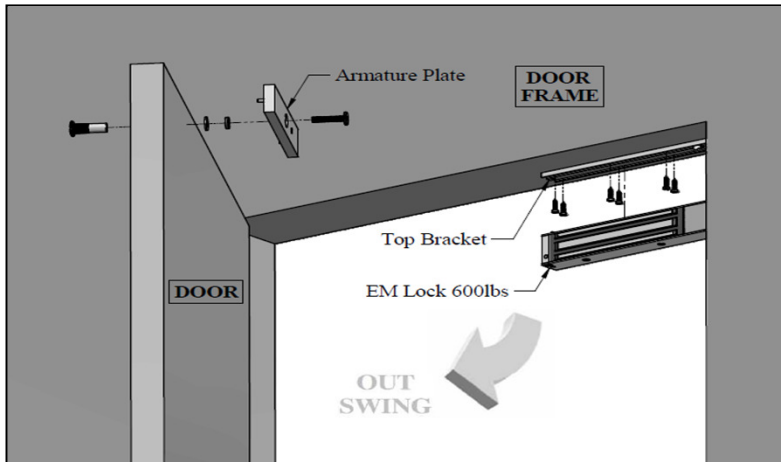


275L Series

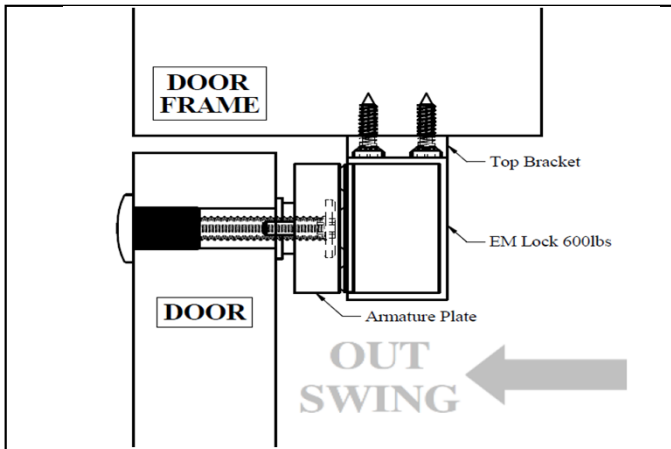


600lbs Electromagnetic Lock (Super Low Power Type)

STANDARD INSTALLATION DIAGRAM



Explode View



Side View

OPTIONAL - BRACKET SELECTION

U1-275	ZL-275	ZLE-275	LS-275	GG-275	ZLC-275
ZLC-275-G	ZLDC-275-G	LSDC-275-G	AH-275	AB-275	