

545L Series



1200lbs Electromagnetic Lock (Super Low Power Type)

Model **UL545L-S-A** (Unmonitored Version)
UL545L-SL-A (Monitored Version)

DESCRIPTION

L-Series 1200lbs EM Lock are eco friendly designed with power consumption less than 300mA. The blueprint is also to meet fire/life safety applications by providing auxiliary locking mechanism. Suitable for interior & perimeter doors which requires medium security.



FEATURES & SPECIFICATION



Life Safety Applications



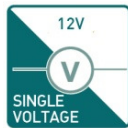
Zero Residual Magnetism



Low Energy Consumption



Cost Savings

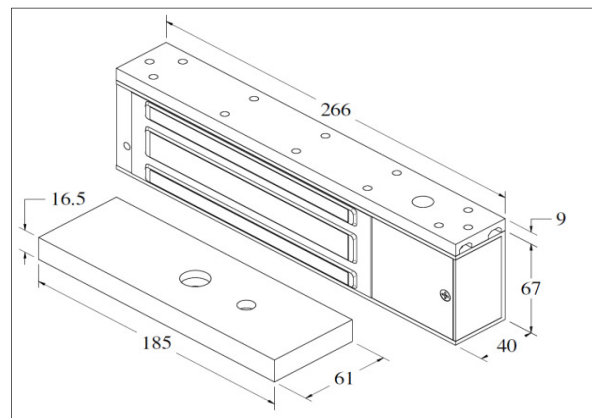


12Vdc



Ideal for all door types

Models	UL545L-S-A	UL545L-SL-A
Lock Status Monitoring	-	✓
Holding Force	Up to 1200lbs	
Magnet Size	266 X 67 X 40 mm	
Armature Size	185 X 61 X 16.5 mm	
Current Drain	less than 300mA/12Vdc	
Operating Temperature	(-10 to 55)°C (14 to 131)°F	
Housing Finishing	Anodized Aluminium	
Est. Weight	4.71kg	

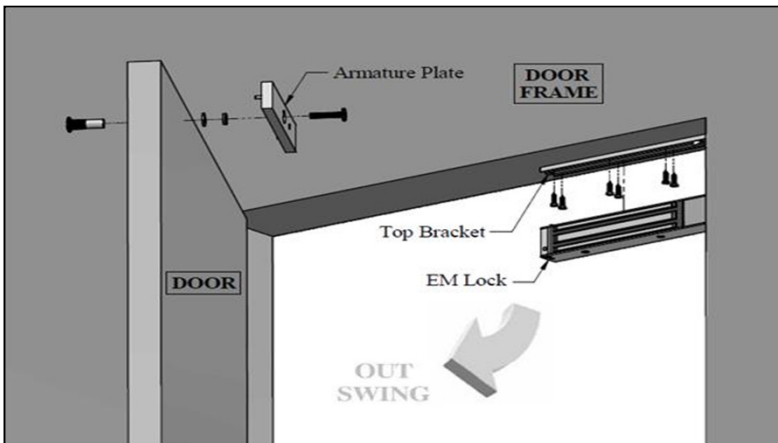


545L Series

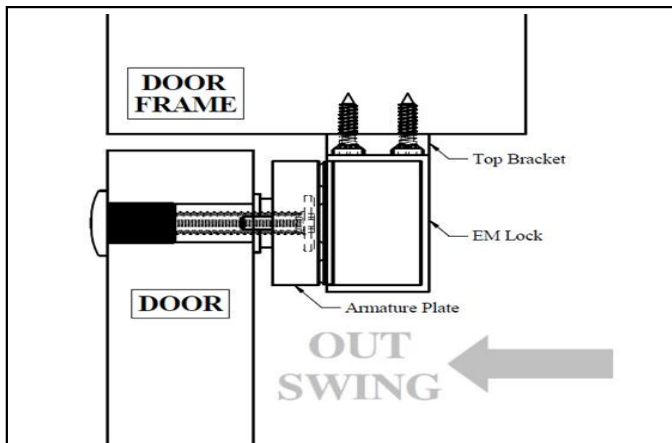
ECO SERIES

1200lbs Electromagnetic Lock (Super Low Power Type)

STANDARD INSTALLATION DIAGRAM



Explode View



Side View

OPTIONAL - BRACKET SELECTION

LS-545	U1-545	ZL-545	ZLE-545	LSDC-545-G	ZLDC-545-G
AH-545	AB-545				