

275C Series

600lbs Electromagnetic Lock

Model **UL275C-SL (Monitored Version)**

DESCRIPTION

C-Series 600lbs EM Locks were designed to meet fire/life safety applications by providing an auxiliary locking mechanism that has no moving parts to bind or wear out for trouble free operation. This will ensure inhibited release at all times where they have become extremely prevalent in applications other than fire/life safety. Suitable for access controlled & secure areas within buildings.



FEATURES & SPECIFICATION



Life Safety Applications



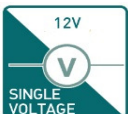
Zero Residual Magnetism



Low Energy Consumption



Cost Savings

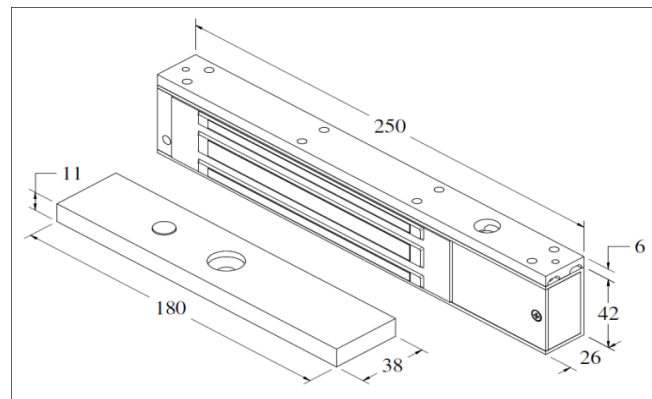


12Vdc



Ideal for all door types

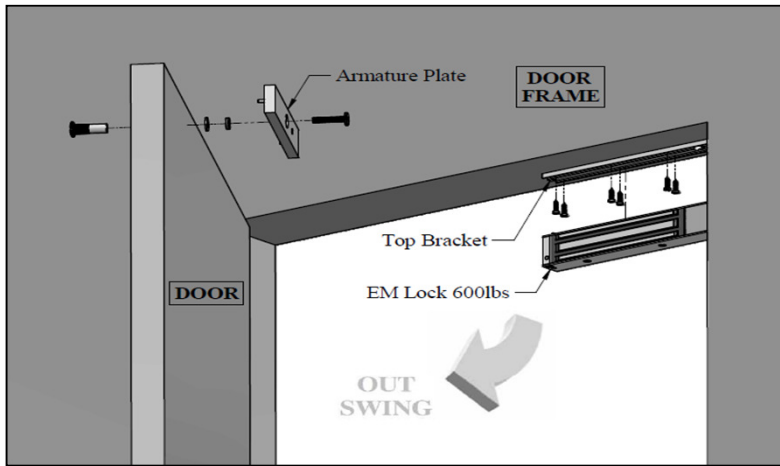
Models	UL275C-SL
Features & Spec.	
Lock Status Monitoring	✓
Holding Force	Up to 600lbs
Magnet Size	250 X 42 X 26 mm
Armature Size	180 X 38 X 11 mm
Current Drain	480mA±10%/12Vdc
Operating Temperature	(-10 to 55) °C (14 to 131) °F
Housing Finishing	Anodized Aluminium
Est. Weight	2.0kg



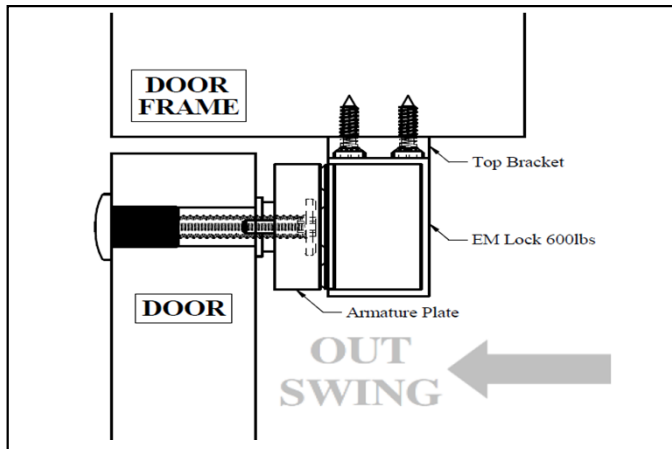
275C Series

600lbs Electromagnetic Lock

STANDARD INSTALLATION DIAGRAM



Explode View



Side View

OPTIONAL - BRACKET SELECTION

U1-275	ZL-275	ZLE-275	LS-275	GG-275	ZLC-275
ZLC-275-G	ZLDC-275-G	LSDC-275-G	AH-275	AB-275	