

Installed at mid section of the door. Fast and easy installation.

**ALUMINIUM HOUSING**  
(DH-1 400mm fitted with 1 magnetic lock)



DH-1 400 ALU



DH-1 400 LIGHT BRONZE



DH-1 400 DARK BRONZE

**ALUMINIUM HOUSING**  
(DH-1 up to 2500mm length fitted with 2 magnetic locks)



DH-1 2500 LIGHT BRONZE



DH-1 2500 DARK BRONZE

**OPTIONAL HOUSING**  
(Mounted on the other side of door)



DH- S  
(Without Handle)



DH- P  
(With Handle)

**ALGATEC®**  
A NEW ERA OF CONFIDENCE IN LOCK



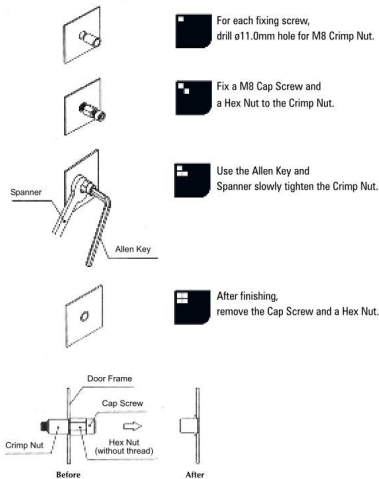
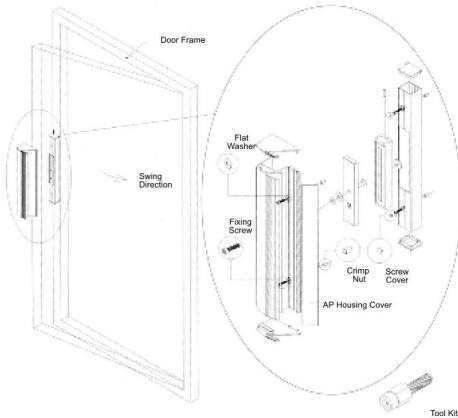
**MAGNETIC LOCK  
IN DOOR HANDLE**

INNOVATIVE  
REVOLUTIONARY  
SIMPLICITY

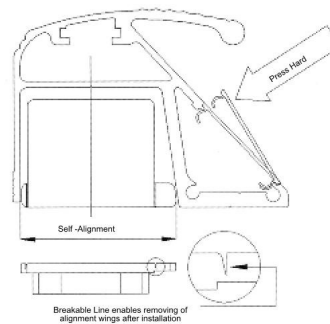
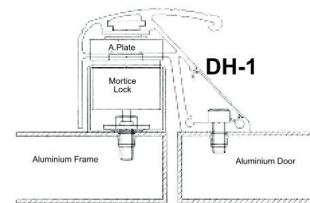
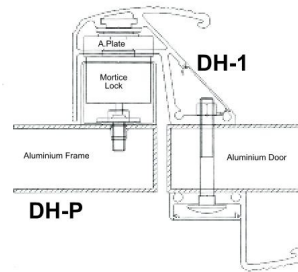


## INSTALLATION PRINCIPLE OF DH-1

Installation Diagram of a Crimp Nut :



## SIDE PROFILE OF DH



## ALGATEC® A NEW ERA OF CONFIDENCE IN LOCK ALUMINIUM HOUSING (DH-1) (DH-J)



Model : DH-1 400

### Standard Features :

- Easy Installation Made Easier. Come with pre-drilled fixing holes.
- Difficult to tamper with.
- Act As a Door Handle
- Aesthetic Value as it can be chrome plated, powder coated or painted to match door or its surroundings.
- Up to 2.5 metres in length with 2 locks in place. Perfect alignment guaranteed.
- Install vertically in the middle of the doors.
- Most suitable for aluminium or wooden doors.

### Introduction :

The Aluminium Frame Housing or DH-1 is an innovative way of installing magnetic locks on single swing doors. With the lock and armature built into it, installation time is shortened considerably. This revolutionized the way magnetic locks are installed as the conventional way of installing magnetic locks is at the top of the door and door frame, DH-1 is fixed at the mid section of the door and such installation further enhances the holding force of magnetic locks. Two magnetic locks of 600lbs each are installed in the DH-1 series of 2500mm and 600mm. This can be recommended for large and heavy doors. The internal built-in door position sensor or reed sensor provides an indication of whether door is open or closed.

### Specification:

No	Product Name	Description	Weight	Voltage	Current Draw	Holding Force
1	DH-1 400	400mm length with One Mortise Lock	4.3 kgs	12/24 VDC	480mA/ 240mA	600 lbs
2	DH-1 600	600mm length with 2 Mortise Locks	6.4 kgs	12/24 VDC	480mA/ 240mA	2 x 600 lbs
3	DH-1 2500	2500mm length with 2 Mortise Locks	10.5 kgs	12/24 VDC	480mA/ 240mA	2 x 600 lbs
4	DH-P (400)	400mm optional aluminium handle	0.5 kgs	-	-	-
5	DH-P (600)	600mm optional aluminium handle	0.8 kgs	-	-	-
6	DH-P (2500)	2500mm optional aluminium handle	3.0 kgs	-	-	-

Choice of Finishes - Natural Satin Anodised, Light Bronze & Powder-coated colors or non-anodised.

### Description :

This Door Handle is most suitable for aluminium or wooden doors. Made of aluminium, it has a maximum length of 2.5 metres. It can be natural anodized, painted or powder-coated to suit the specifications required. DH-1 consists of 2 pieces: the main piece which houses the armature and the other has a lock installed into it. To complement a complete set, there is an optional piece which acts as a handle and is fixed at the other side of the door. There are 3 different lengths of 2500mm, 600mm and 400mm.