

MonAct™ Series

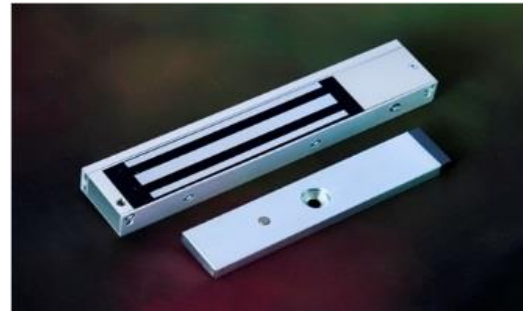


600lbs Electromagnetic Lock

Model **UL275BWM-SL-A (Monitored Version)**

DESCRIPTION

UL275BWM-SL renders advance security monitoring by integrating door status monitoring function (DSMF) (providing door opened/closed signal) in addition to the standard lock status monitoring function (LSMF). UL275BWM-SL monitored EM locks are **inbuilt with Reed Switch**, it is designed to meet fire and life safety applications by providing an auxiliary locking mechanism that has no moving parts to bind or wear out for trouble free operation. This will ensure inhibited release at all times where they have become extremely prevalent in applications other than fire/life safety. Suitable for higher security areas within buildings.



FEATURES & SPECIFICATION



Life Safety Applications



Zero Residual Magnetism



Low Energy Consumption



Cost Savings



12/24Vdc Selectable

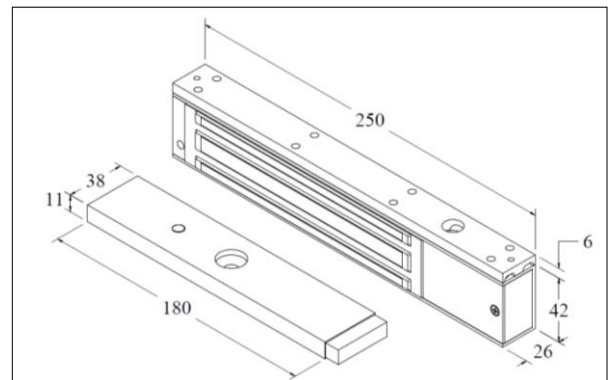


Door Status Monitoring



Ideal for all door types

Models	UL275BWM-SL-A
Features & Spec.	
Lock Status Monitoring	✓
Door Status Monitoring	With inbuilt Reed Switch
Holding Force	Up to 600lbs
Magnet Size	250 X 42 X 26 mm
Armature Size	180 X 38 X 11 mm
Current Drain	480mA±10%/12Vdc 240mA±10%/24Vdc
Operating Temperature	(-10 to 55)°C (14 to 131)°F
Housing Finishing	Anodized Aluminium
Est. Weight	2.0kg



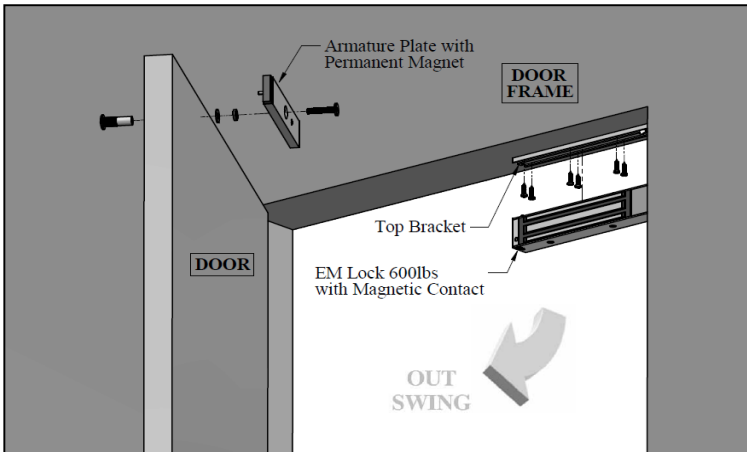
www.algateclocks.com

WARRANTY: -ALGATEC EM Lock are warranted against defects in material and workmanship while used in normal service for a period of 5 year s from the date of sale to the original customer.
DISCLAIMER: -Specifications are subject to change without prior notice. -Attached photo is for reference purpose only, actual product may varies.

MonAct™ Series

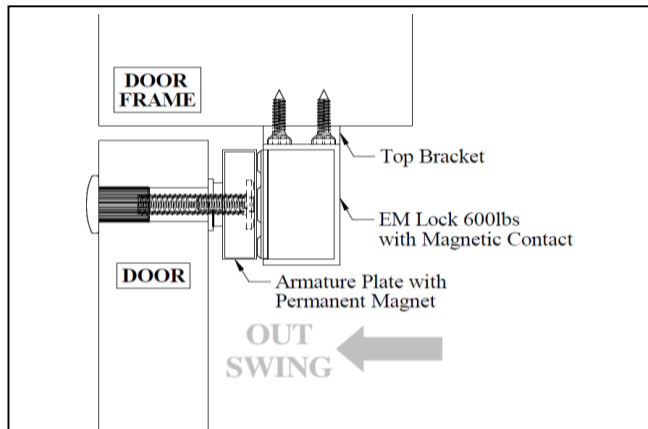
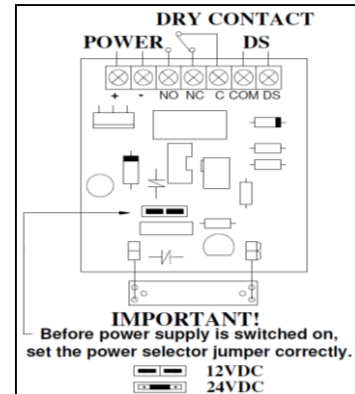
600lbs Electromagnetic Lock

STANDARD INSTALLATION DIAGRAM



Explode View

WIRING DIAGRAM



Side View

OPTIONAL - BRACKET SELECTION

U1-275	ZL-275	ZLE-275	LS-275	GG-275	ZLC-275
ZLC-275-G	ZLDC-275-G	LSDC-275-G	AHM-275	AB-275	