

Electric Dropbolt Manual

Model : EDB-D5C-TC

Product Description

Solenoid bolt is a flush mount type of electro-mechanical locking mechanism which is characterized by the use of a solenoid to throw the bolt. It is designed for use in double acting doors and can be installed on inward-swinging or outward-swinging doors.

Standard Features

1. Fail Safe. Locked when energized, with magnetic induction.
2. Door Status Signal NC Output.
3. Lock Status LED Indicator.
4. Time Delay Feature - 0/3/6/9 seconds.
5. Single Voltage - 12Vdc.
6. Suitable for all kind of doors with frame and 90/180 degree to open doors.
7. Also applicable for glass door with mounting brackets.

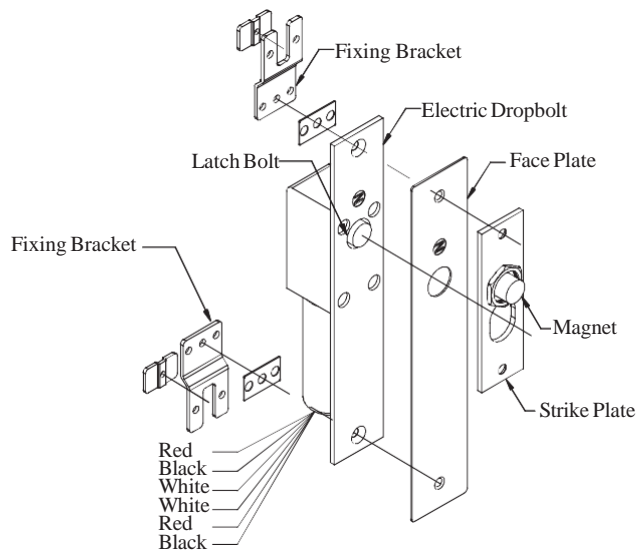
Technical Information

| | |
|---------------------|------------------------------|
| Spec / Model | EDB-D5C-TC |
| Lock Size | 200 (L) x 35 (W) x 38 (H) mm |
| Strike plate size | 100 (L) x 30 (W) x 12 (H) mm |
| Bolt size | ø15 x 15 mm |
| Input voltage | 12Vdc |
| Starting Current | 650mA |
| Standby Current | 250mA |
| Low current draw | 4.5W |
| Working Temperature | -20°C ~ 55°C |

Precaution :

- a. Please keep the electric dropbolt away from moist and water .
- b. Installation shall be conducted according to User Manual and installation procedures. Cut off the power during installation and wiring. Do not carry out wiring with power connected.
- c. Select reliable power source and wires to avoid electric dropbolt not function due to abnormal power supply.
- d. Ensure the installation position is proper. Otherwise, incorrect installation may cause to dropbolt produce heat and leading to shorten service life.
- e. If the dropbolt failed to function after the power is connected, please check whether the dropbolt is aligned with the magnetic induction field on the strike plate. Check the connection of electric circuit and power source. If the multimeter is used to measure the load, make sure that voltage at dropbolt power input shall not less than 12Vdc.

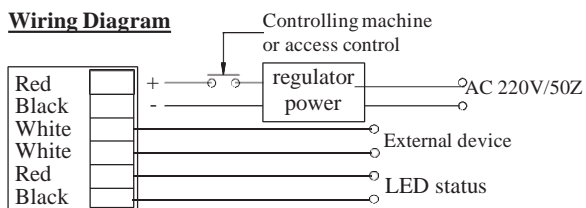
Electric Dropbolt Installation Diagram :



General Instruction :

1. Please read the instruction carefully. Ensure whether the accessories is sufficient.
2. The electric dropbolt was combined by two parts :
 - a. Magnetic strike plate.
 - b. Body.
3. The gap between the strike plate and the front of lock should be less than 5mm and the hole of strike plate must exactly face to the bolt.
4. There are 6 wires in the electric dropbolt for connection :
 - a. Red for power (+) connecting 12Vdc.
 - b. Black for power (-).
 - c. White connecting to external device.
 - d. Another red & black connecting to LED status.
5. Circuit connection : The power of the lock must reach to 12Vdc.
6. Electric dropbolt time delay setting :
Refer " Time Delay Setting "

Wiring Diagram



Time Delay Setting

| | | |
|-----|-----|-------|
| ON | | 0 Sec |
| ↑ 2 | • | 3 Sec |
| ON | • 2 | 6 Sec |
| • 1 | • 2 | 9 Sec |
| ON | • 1 | |
| • 1 | • 2 | |

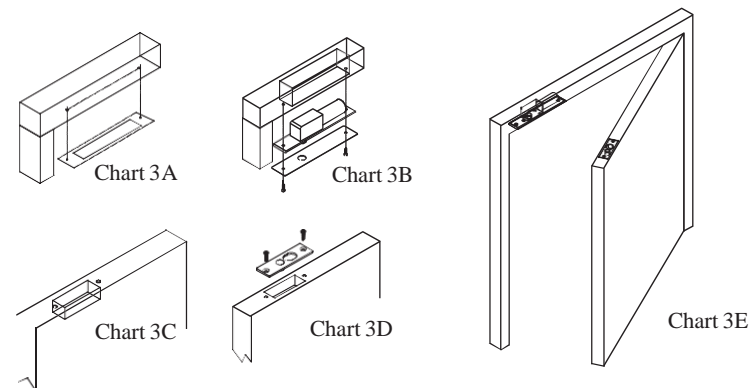
Installation Instruction

Please refer to below "Solid Door Frame Installation - Without Bracket" .

- a. Ensure the door is closed properly. Decide the center line and mark the center point position of the door frame. Paste template sticker for the electric dropbolt on door frame, mark the holes position and drill the holes (Chart 3A).
- b. Fix the electric dropbolt and the face plate on the door frame (Chart 3B).
- c. Decide the center line according to the door leaf, electric dropbolt & latch bolt. Ensure the "N" mark on face plate exactly match with the magnet at strike plate. Paste the template sticker for strike plate on door leaf. Mark holes position & drill the holes (Chart 3C).
- d. Fix the strike plate with screws on the door leaf (Chart 3D).
- e. Keep the center line of latch bolt aligned with center of bolt hole on strike plate.
- f. Installation complete (Chart 3E).

Remarks : For Hollow Metal Door Frame Installation, use the fixing bracket to fix the electric dropbolt and the face plate on the door frame (Chart 3B - Hollow Metal Door Frame Installation - With Bracket).

Solid Door Frame Installation - Without Bracket



Hollow Metal Door Fram Installation - With Bracket

