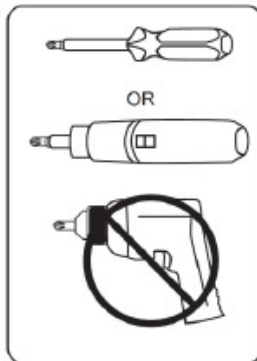
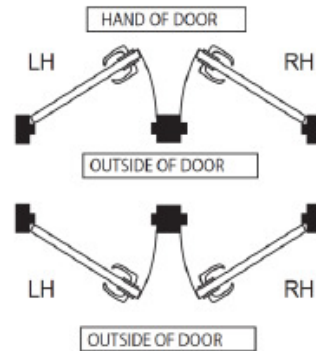


INSTALLATION INSTRUCTION - ELECTRONIC DEADBOLT WITH HANDLE



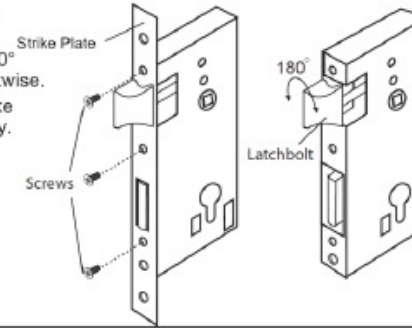
A. Determine the side of the door.

Stand on the outside facing the door. If the door hinges are on the left side, it means the door is left handed or otherwise it is a right handed.



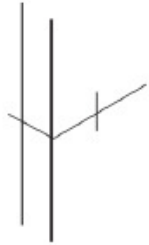
B. Changing the direction of latch bolt.

1. Unscrew and remove the strike plate.
2. Turn the latch bolt 180° clockwise or anticlockwise.
3. Re-assemble the strike plate and screw tightly.



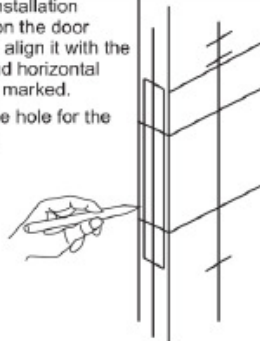
C. Mark the horizontal lines on door and door edge.

Measure the desired height for lever's centerline from the floor for both sides of the door and door edge.



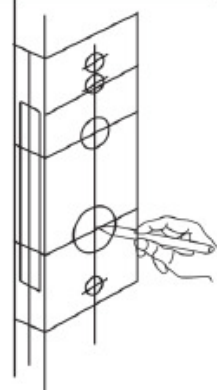
D. Drill a mortise hole of 18mm(W) × 181mm(H) × 90mm(D) on the door edge.

1. Fold the installation template on the door edge then align it with the vertical and horizontal centerline marked.
2. Drill out the hole for the lock case.



E. Mark the drilling points.

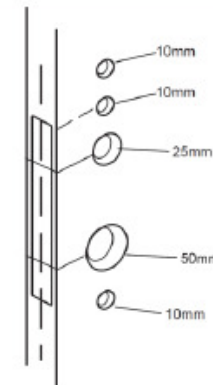
Fold the installation template on the door edge then align it with the vertical and horizontal centerline and mark the center points of the holes to be drilled.



F. Drill the holes.

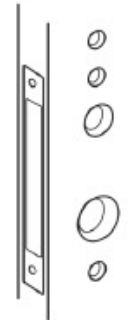
1. Drill an ø50mm hole for cylinder from both sides of the door.
2. Drill an ø25mm hole for lever from both sides of the door.
3. Drill an ø10mm hole for wire from both sides of the door.
4. Drill two ø10mm holes for screws from both sides of the door.

★NOTE: Drilling the holes from both sides of the door to prevent splitting drill holes.



G. Chisel a recess for strike plate.

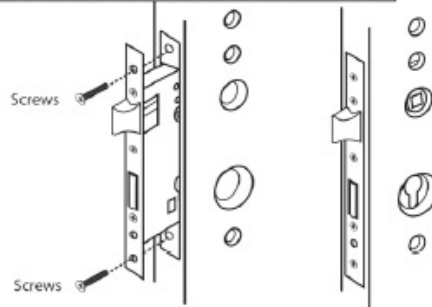
Chisel a recess area of 27mm × 243mm × 3.5mm for strike plate until it is flush with the door edge.



H. Install the lock case.

Insert the lock case into the hole and fasten the strike plate to the door with screws.

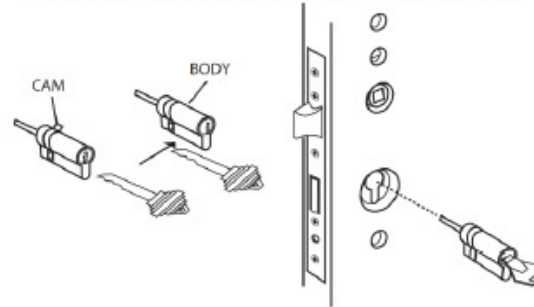
★Note: Do not install the lock case upside down.



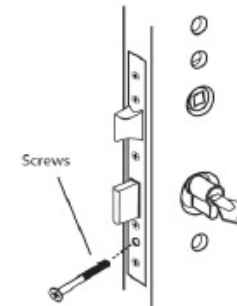
I. Install the cylinder.

Installation of the cylinder was shown as the pictures below:

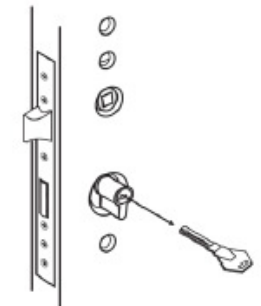
a. Insert key into the cylinder and turn the CAM to align with the body of cylinder then insert the cylinder into the lock case.



b. Fasten the cylinder with screw.



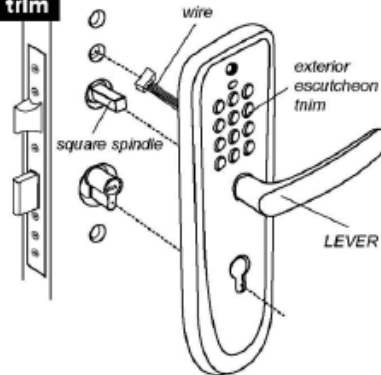
c. Remove the key.



J. Install exterior escutcheon trim

Place exterior escutcheon trim into the LOCKCASE as shown, Press tight against door face.

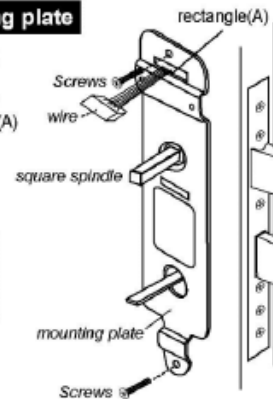
1. Both Insert the square spindle into the hole of LOCKCASE and into the hole of LEVER.
2. Insert the wire through the hole of door.



K. Install mounting plate

1. On interior side of door, place mounting plate and plate and route the wire through rectangle(A) on mounting plate.
2. Secure and fasten mounting plate with 2 screws.

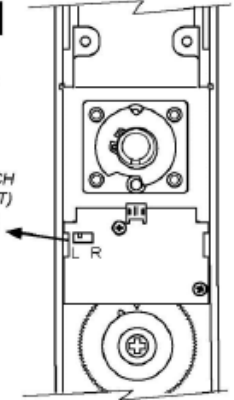
● **IMPORTANT:**
Ensure the mounting plate is positioned vertically.



L. Adjusting interior module

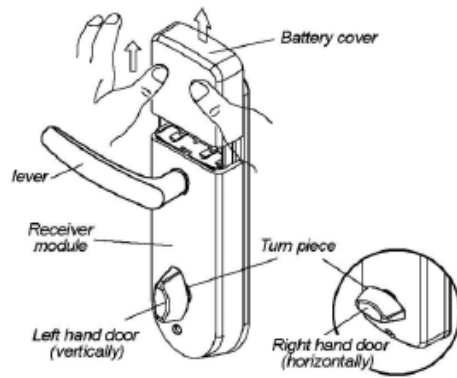
If you have a right-handed door, move the entry switch to "R" by pen. If you have a left-handed door, move the entry switch to "L" by pen.

ENTRY SWITCH
(LEFT & RIGHT)



M. Installation of interior module

1. Remove the battery cover from the receiver module by sliding the cover upward
2. Rotate the interior turn piece to the vertical position for a left hand door or the horizontal position for a right hand door

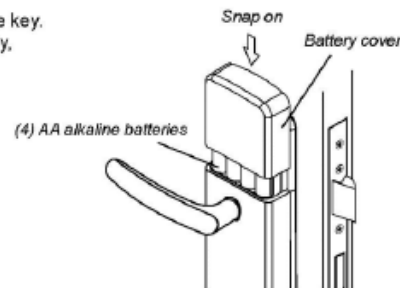
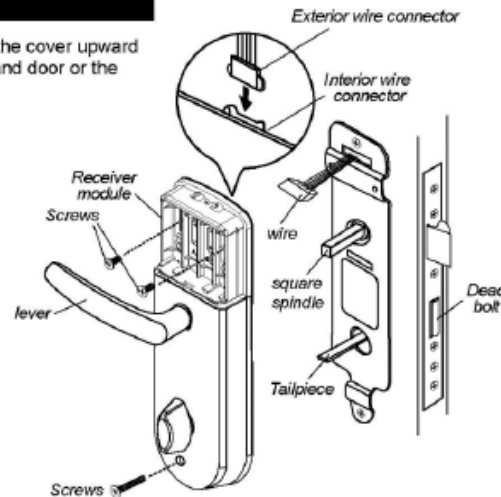


3. Position receiver module over mounting plate, both fit the interior turn piece into tailpiece and the square spindle into the hole of lever.
4. Check operation of the lockcase manually turning the turn piece or using the key. Dead bolt should extend and retract freely. If square can not be moved freely, the direction of turn piece is in the wrong place. Move receiver module and turn the turn piece to the opposite direction. Install again and check the operation of deadbolt.
5. Connect exterior wire connector to interior wire connector.
6. Secure the receiver module to mounting plate with 3 screws.

● **IMPORTANT:**

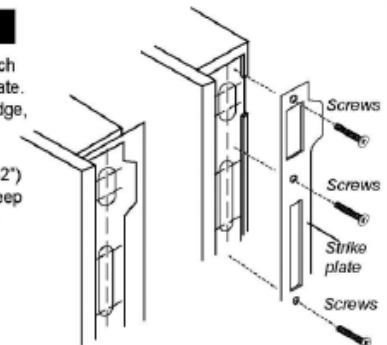
1. Be careful about the wire.
Do not block the screw holes at the time of mounting the screws.
2. Lock should be straight on door before tightening screws.

7. Install (4) AA alkaline batteries and fit battery cover.



N. Install strike plate

1. Align strike template on jamb. Be sure to match centerline on both strike and Lockcase template.
2. Drill 19mm(6/8") diameter up-hole into door edge, 14mm(17/32") deep by 38mm(1-1/2") high.
3. Drill 15mm(19/32") diameter down-hole into door edge, 22mm(7/8") deep by 60mm(2-13/32")
4. Chisel 25.4mm(1") diameter X 1.5mm(1/16") deep X 200mm(8") high recess for strike until strike face flush with door edge.
5. Install strike plate with 3 screws.



O. Replace cylinder

— \ right-handed door:

1. Remove the inside receiver module, and then take off screw.
2. Insert key into cylinder and turn right about 225 degrees and then PULL out the cylinder.
3. Insert the new cylinder

— \ left-handed door:

1. Remove the inside receiver module, and then take off screw.
2. Insert key into cylinder and turn left about 225 degrees and then PULL out the cylinder.
3. Insert the new cylinder

