

Figure 1. Explode View

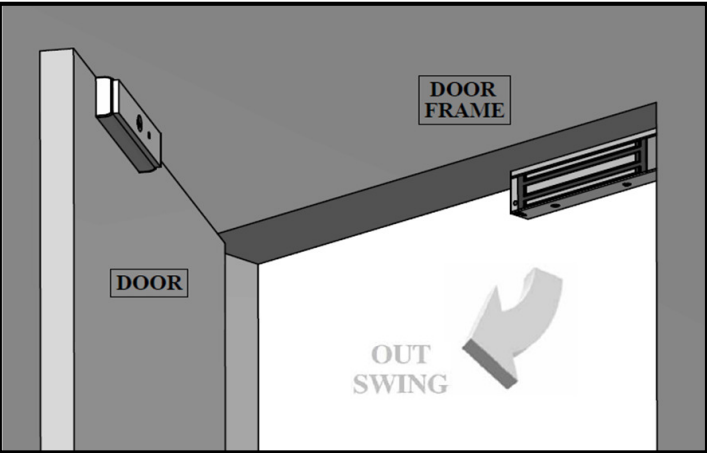


Figure 2. Installation Completed (a)

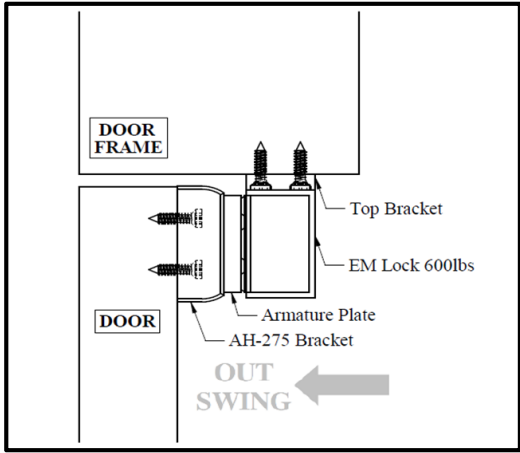


Figure 4. Side View

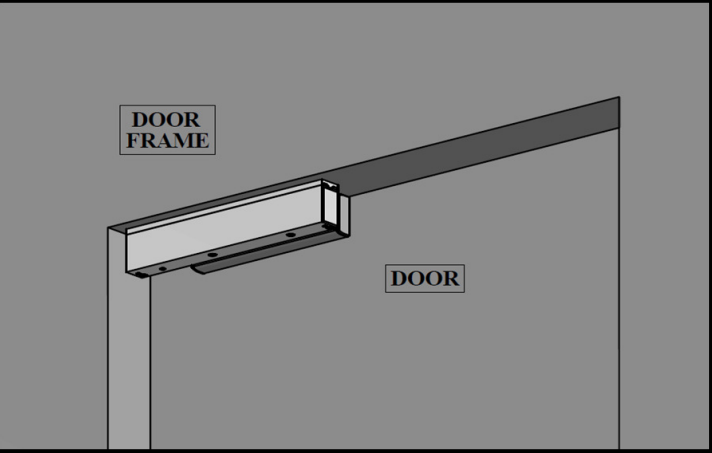


Figure 3. Installation Completed (b)

Installation Tips:  
 Kindly apply Thread Lock for permanent adhesion.