

# 275TB Series

## 600lbs Electromagnetic Lock with Timer & Buzzer

Model **UL275TB-SK-A (with LED lens; Monitored Version)**

### DESCRIPTION

600lbs EM Locks with Time Delay Function (TDF) & Buzzer is designed to cater for the increasing needs in the industry. The aim is also to meet fire/life safety applications by providing an auxiliary locking mechanism. Suitable for access controlled & secure areas within buildings which require 2-tier access control feature in a single device.



### FEATURES & SPECIFICATION



**Life Safety Applications**



**Zero Residual Magnetism**



**Low Energy Consumption**



**Cost Savings**

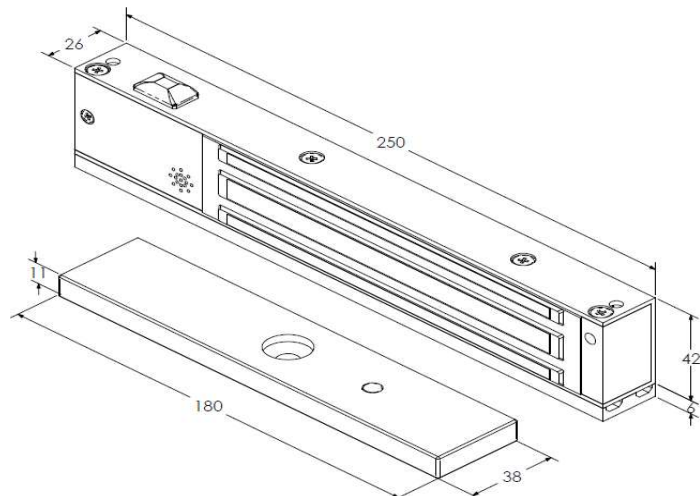


**12/24Vdc Selectable**



**Ideal for all door types**

| Models                        | UL275TB-SK-A                       |
|-------------------------------|------------------------------------|
| <b>Features &amp; Spec.</b>   |                                    |
| <b>Lock Status Monitoring</b> | ✓                                  |
| <b>Holding Force</b>          | Up to 600lbs                       |
| <b>Magnet Size</b>            | 250 X 42 X 26 mm                   |
| <b>Armature Size</b>          | 180 X 38 X 11 mm                   |
| <b>Current Drain</b>          | 480mA±10%/12Vdc<br>240mA±10%/24Vdc |
| <b>Operating Temperature</b>  | (-10 to 55)°C<br>(14 to 131)°F     |
| <b>Housing Finishing</b>      | Anodized Aluminium                 |
| <b>Est. Weight</b>            | 2.0kg                              |



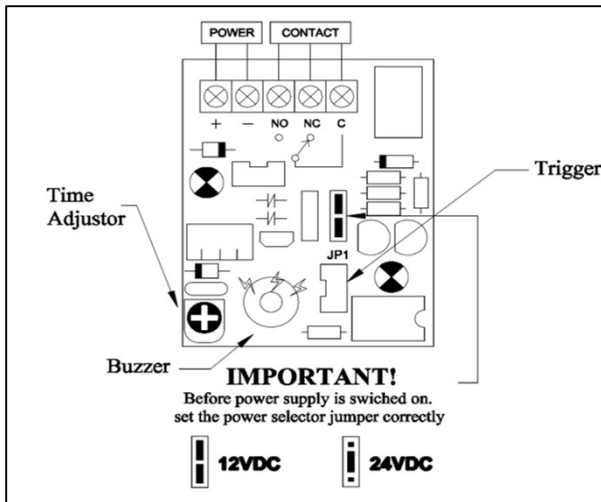
# 275TB Series

## 600lbs Electromagnetic Lock with Timer & Buzzer

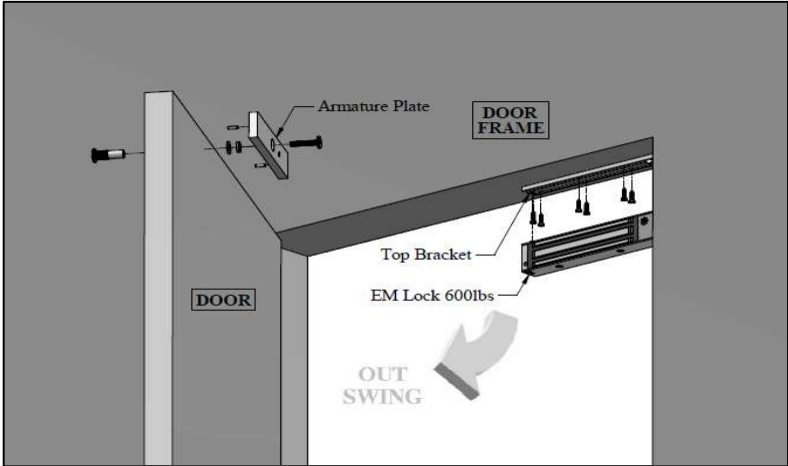
### Extended Features

- **Time Adjustor** - Setting of door re-lock time  
Clockwise: - Max. delay 20 seconds.  
Counter clockwise: - Min. delay 0 second.  
\* Factory Setting at 0 sec.
- **Trigger** - Connected to emergency exit button device to control Door Exit Button to open the door while emergency.
- **Buzzer** - Sounds when magnet does not detect Armature Plate after a specific time set.

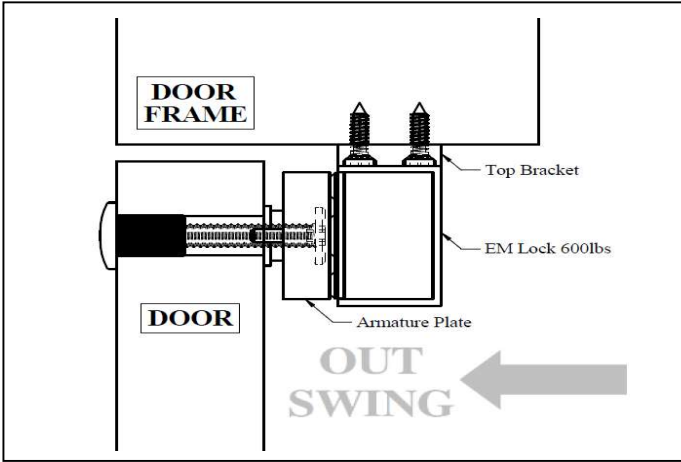
### WIRING DIAGRAM



### STANDARD INSTALLATION DIAGRAM



Explore View



Side View

### OPTIONAL - BRACKET SELECTION

|           |            |            |        |        |         |
|-----------|------------|------------|--------|--------|---------|
| U1-275    | ZL-275     | ZLE-275    | LS-275 | GG-275 | ZLC-275 |
| ZLC-275-G | ZLDC-275-G | LSDC-275-G | AH-275 | AB-275 |         |