

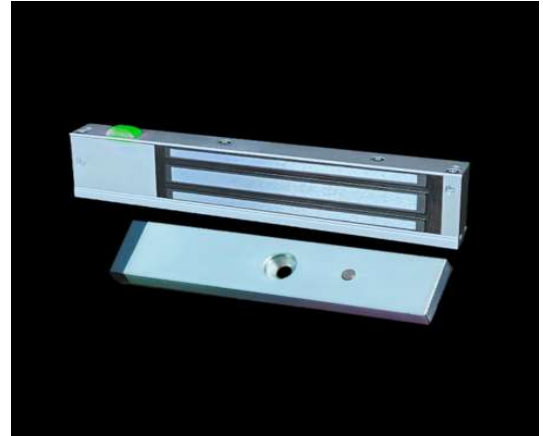
# MonAct™ Series

## 600lbs Electromagnetic Lock with Magnetic Contact & LED Lens

Model **UL275-SKMC-A (Monitored Version)**

### DESCRIPTION

UL275-SKMC-A MonAct™ series renders advance security monitoring by integrating door status monitoring function (DSMF) (providing door opened/closed signal) in addition to the standard lock status monitoring function (LSMF). UL275-SKMC-A enhanced it's visibility with LED Lens, provide a clear indication of lock status & inbuilt with magnetic contact. This design is to meet fire and life safety applications by providing an auxiliary locking mechanism that has no moving parts to bind or wear out for trouble free This will ensure inhibited release at all times where they have become extremely prevalent in applications other than fire/life safety. Suitable for higher security areas within buildings.



### FEATURES & SPECIFICATION



**Life Safety Applications**



**Zero Residual Magnetism**



**Low Energy Consumption**



**Cost Savings**



**12/24Vdc Selectable**

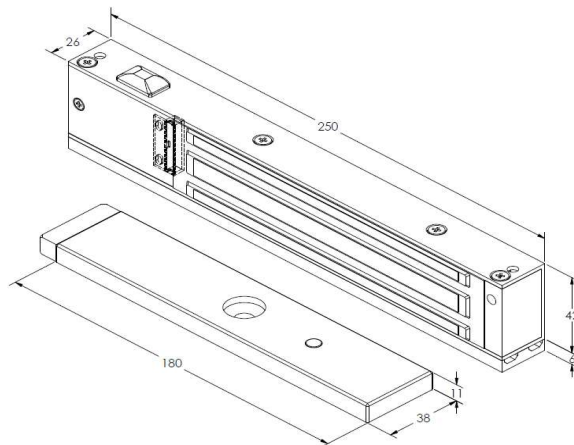


**Door Status Monitoring**



**Ideal for all door types**

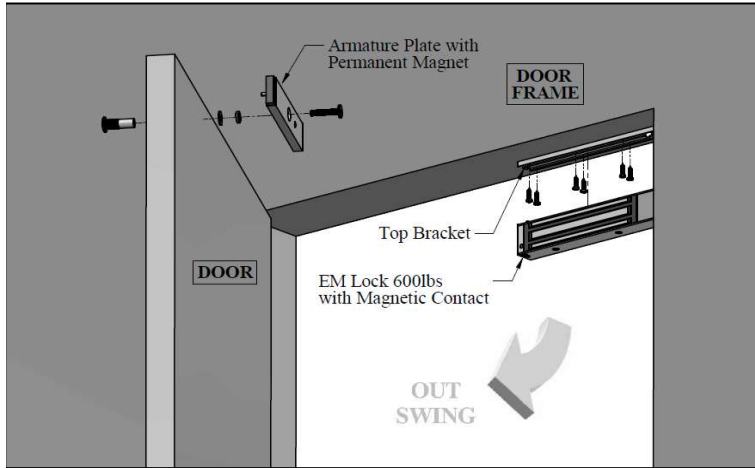
Models	UL275-SKMC-A
<b>Features &amp; Spec.</b>	
<b>Lock Status Monitoring</b>	✓
<b>Door Status Monitoring</b>	✓
<b>Holding Force</b>	Up to 600lbs
<b>Magnet Size</b>	250 X 42 X 26 mm
<b>Armature Size</b>	180 X 38 X 11 mm
<b>Current Drain</b>	480mA±10%/12Vdc 240mA±10%/24Vdc
<b>Operating Temperature</b>	(-10 to 55)°C (14 to 131)°F
<b>Housing Finishing</b>	Anodized Aluminium
<b>Est. Weight</b>	2.0kg



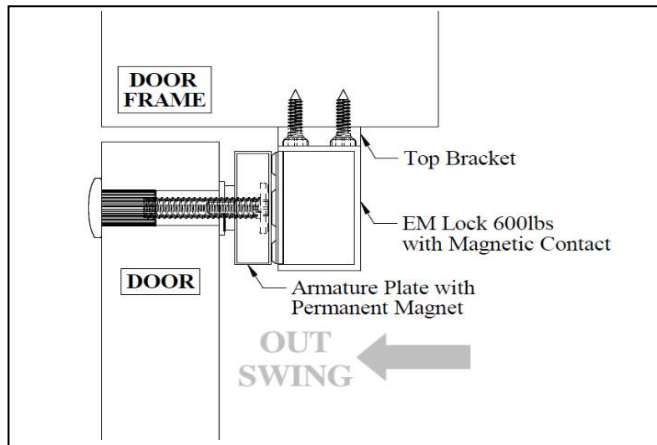
# MonAct™ Series

**600lbs Electromagnetic Lock with Magnetic Contact & LED Lens**

## STANDARD INSTALLATION DIAGRAM

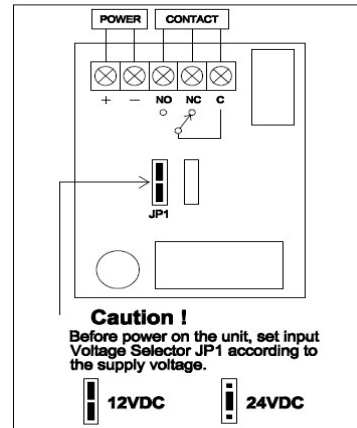


Explode View



Side View

## WIRING DIAGRAM



## OPTIONAL - BRACKET SELECTION

U1-275	ZL-275	ZLE-275	LS-275	GG-275	ZLC-275
ZLC-275-G	ZLDC-275-G	LSDC-275-G	AHM-275	AB-275	