

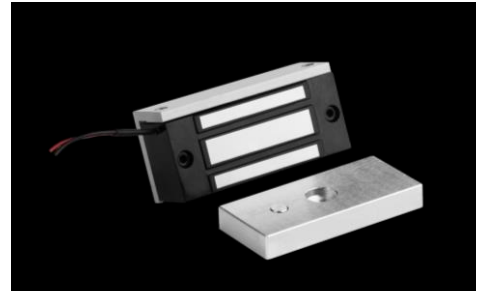
Mini Series (Cabinet Lock)

120lbs Electromagnetic Lock

Model MEL-120 (Unmonitored Version)

DESCRIPTION

120lbs Mini EM Lock is designed to meet easy installation and secure small enclosures with controlled access. Ideal for most compartments due to its versatility and suitable for securing cupboards, cabinets, drawers & lockers and etc.



FEATURES & SPECIFICATION



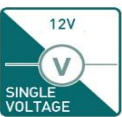
Zero Residual Magnetism



Low Energy Consumption

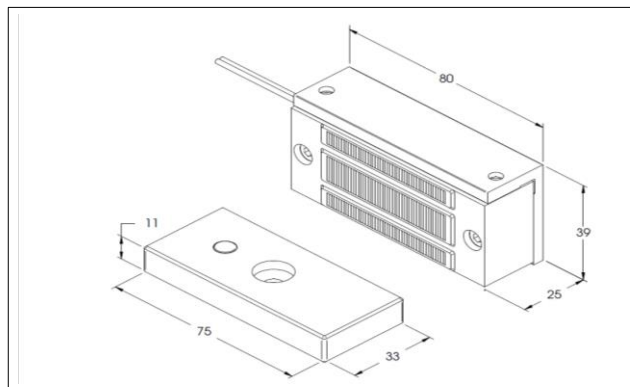


Cost Savings



12Vdc

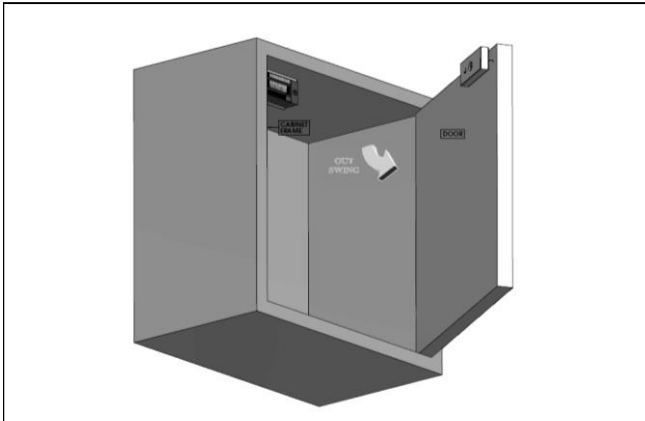
Models	MEL-120
Features & Spec.	
Holding Force	Up to 120lbs
Magnet Size	80 X 39 X 25 mm
Armature Size	75 X 33 X 11 mm
Current Drain	130mA±10%/12Vdc
Operating Temperature	(-10 to 66)°C (14 to 131)°F
Housing Finishing	Anodized Aluminium
Est. Weight	0.56kg



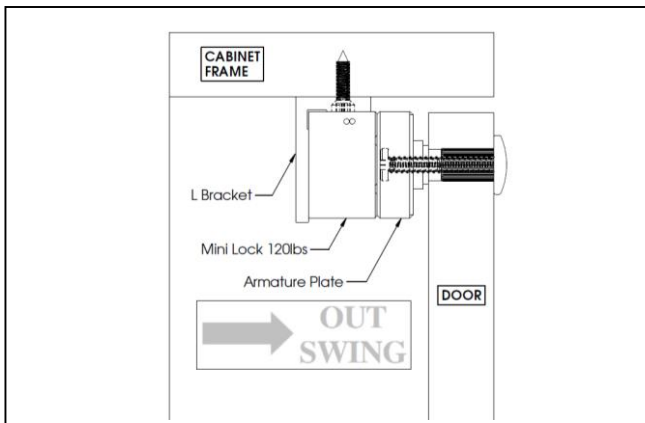
Mini Series

120lbs Electromagnetic Lock

STANDARD INSTALLATION DIAGRAM



Explode View



Side View